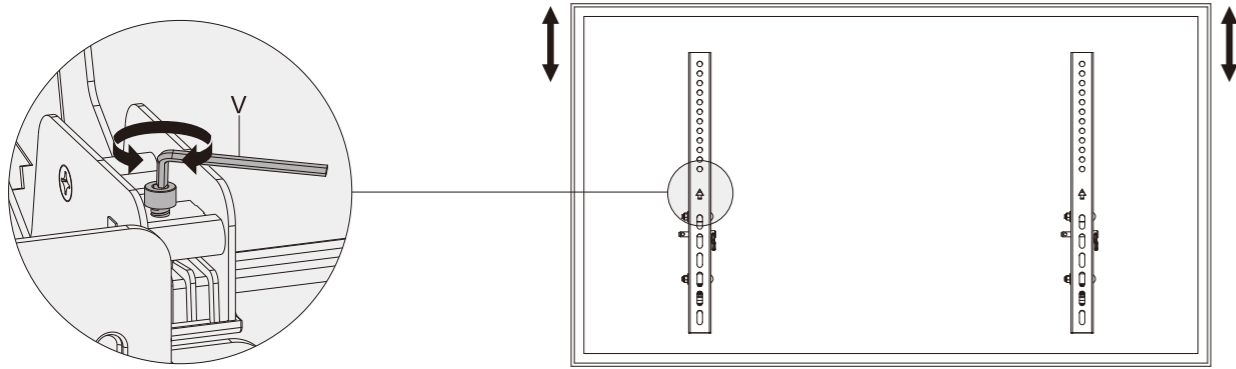
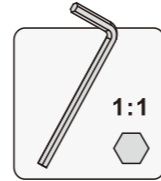
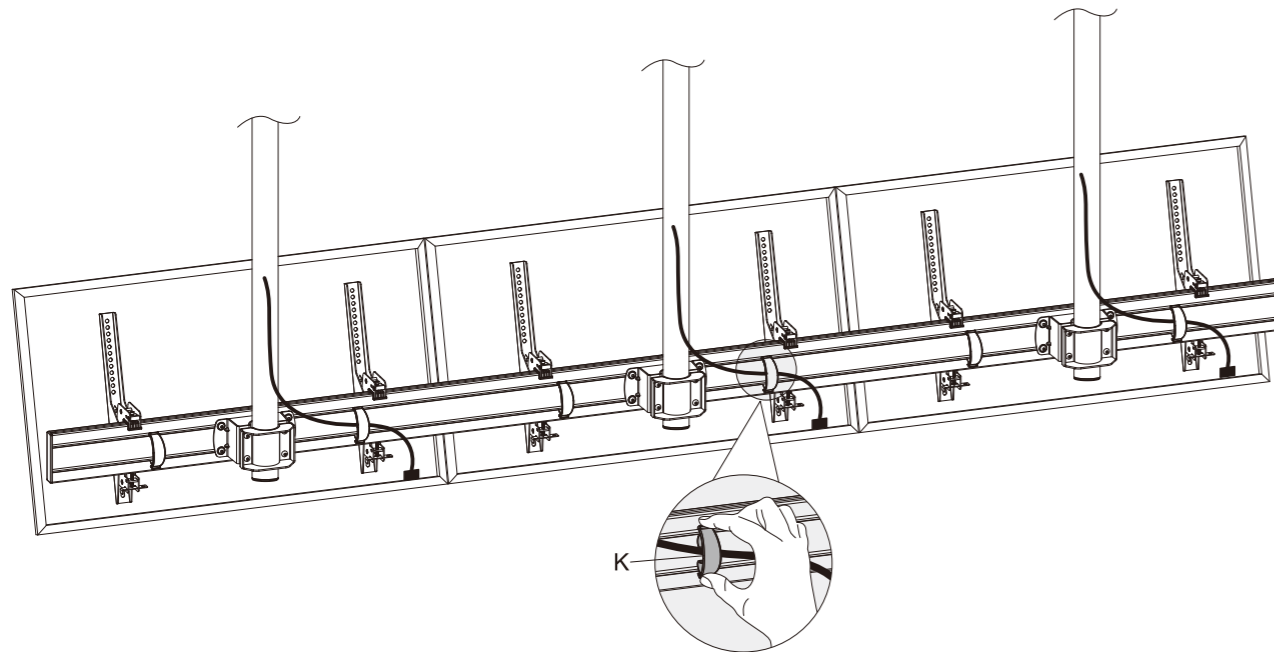


12. Level Adjustment



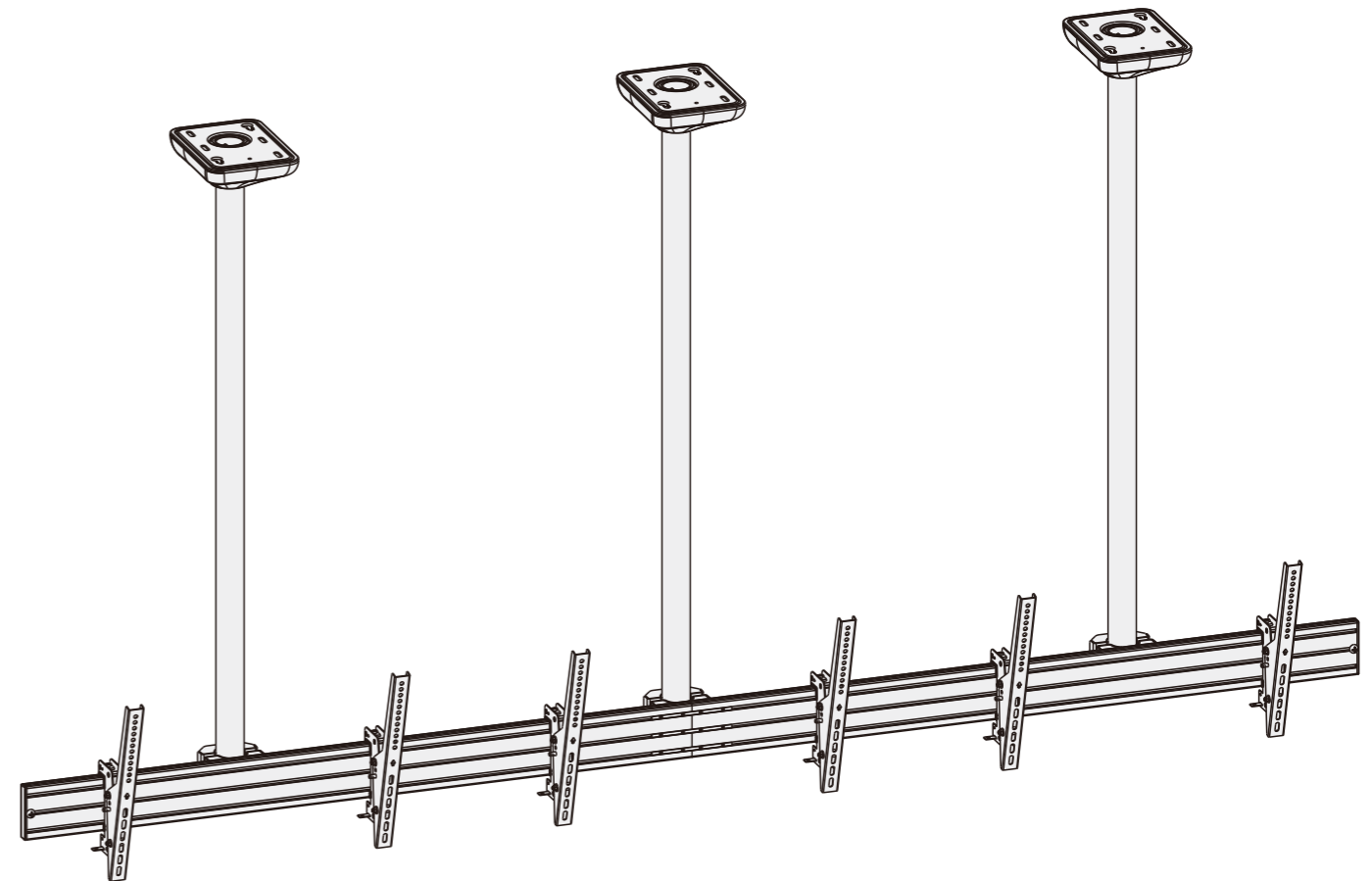
13. Cable Management



Maintenance

- Check that the bracket is secure and safe to use at regular intervals (at least every three months).

MENU BOARD CEILING MOUNT



INSTALLATION MANUAL

200x200/300x300
400x200/400x400
600x400

55"
MAX

rated
50kgx3/110lbsx3

Read the entire instruction manual before you start installation and assembly. If you have any questions regarding any of the instructions or warnings, please contact your local distributor for assistance.

CAUTION

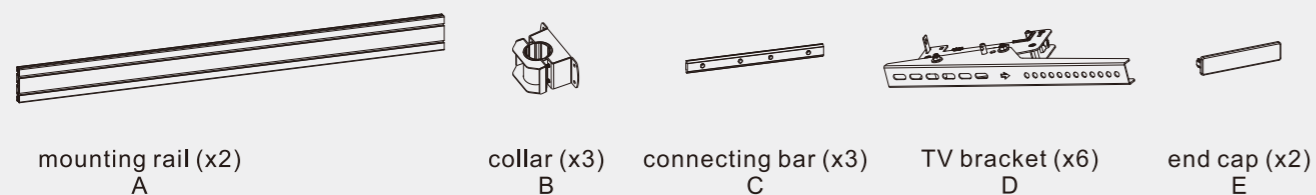
- Use with products heavier than the rated weights indicated may result in instability causing possible injury.
- Please closely follow the assembly instructions. Improper installation may result in damage or serious personal injury.
- Safety gear and proper tools must be used. This product should only be installed by professionals.
- This product is designed to be installed on concrete ceiling only.
- Make sure that the supporting surface will safely support the combined weight of the equipment and all attached hardware and components.
- Use the mounting screws provided and **DO NOT OVER TIGHTEN** mounting screws.
- This product contains small items that could be a choking hazard if swallowed. Keep these items away from children.
- This product is intended for indoor use only. Using this product outdoors could lead to product failure and personal injury.

Required for Installation

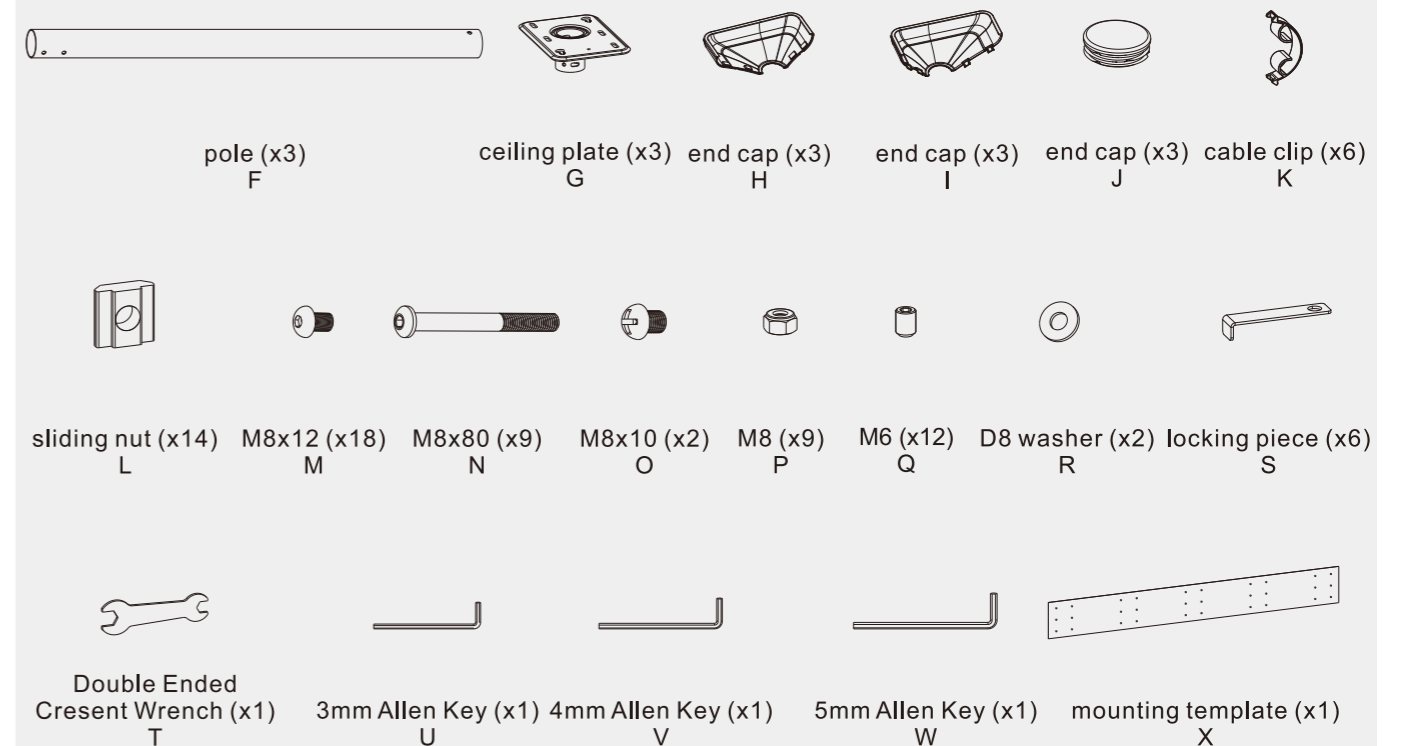


Component Checklist

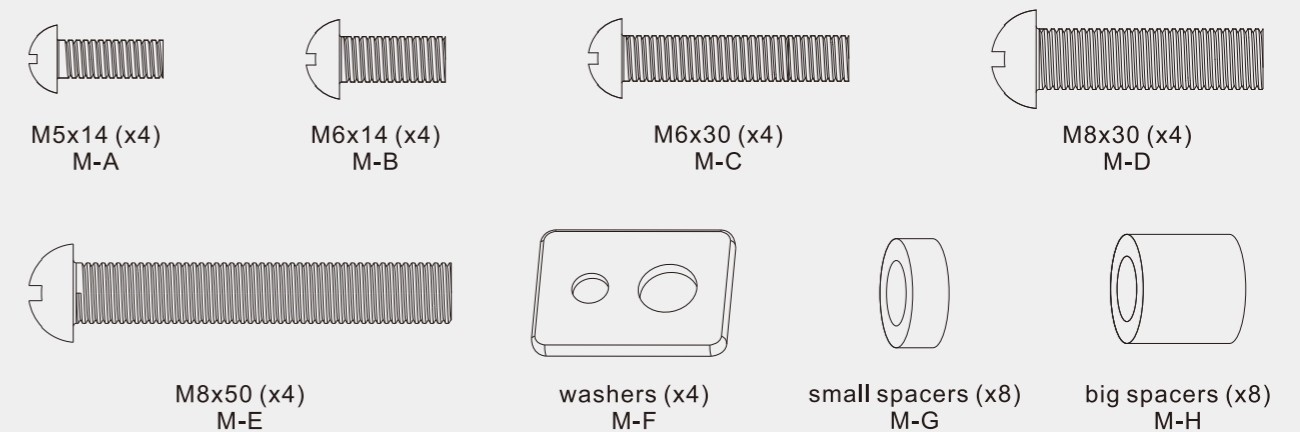
IMPORTANT: Ensure that you have received all parts according to the component checklist prior to installation. If any parts are missing or faulty, contact your place of purchase for a replacement.



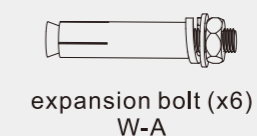
Component Checklist



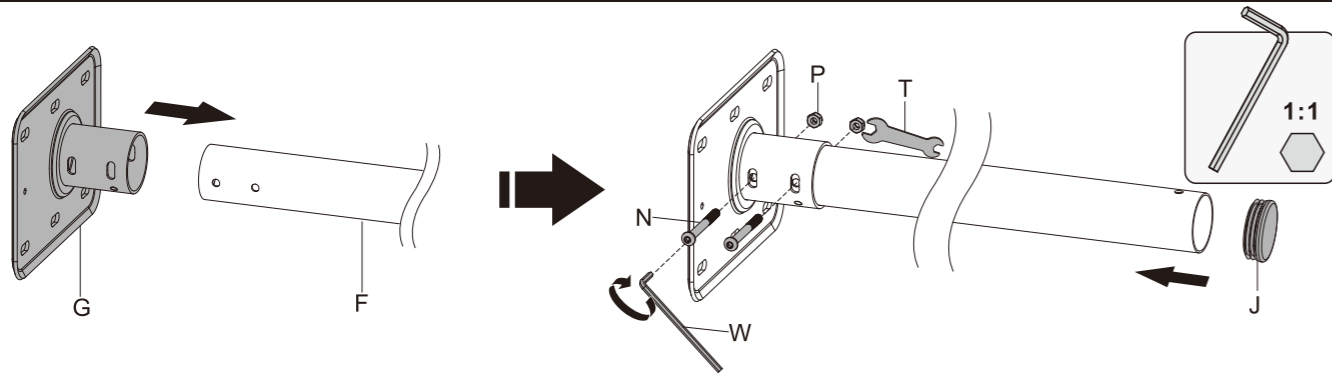
Package M x3



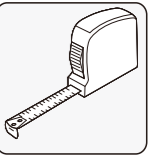
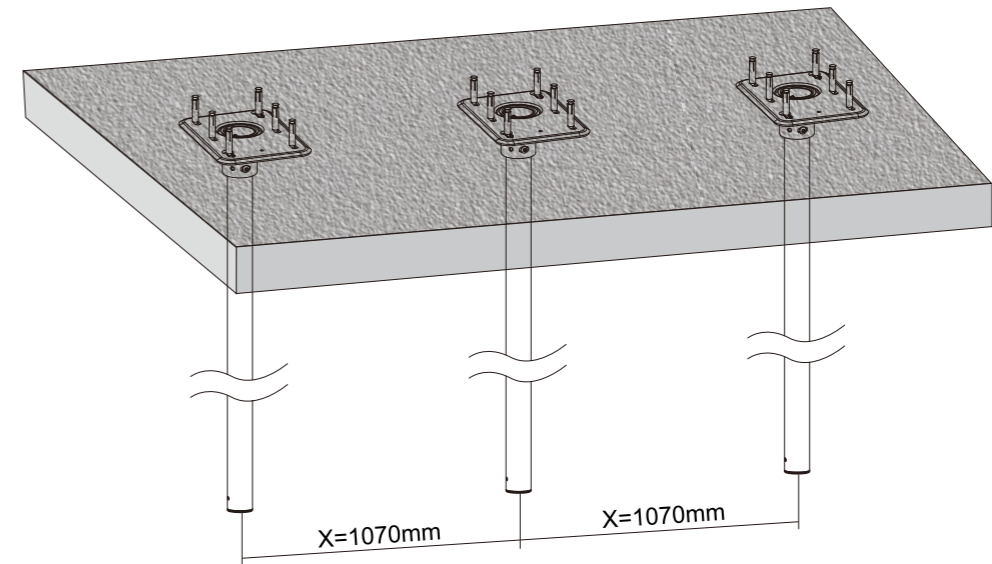
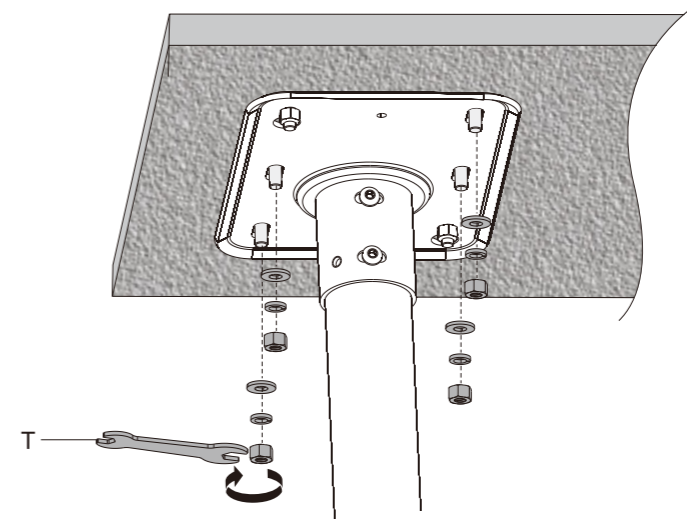
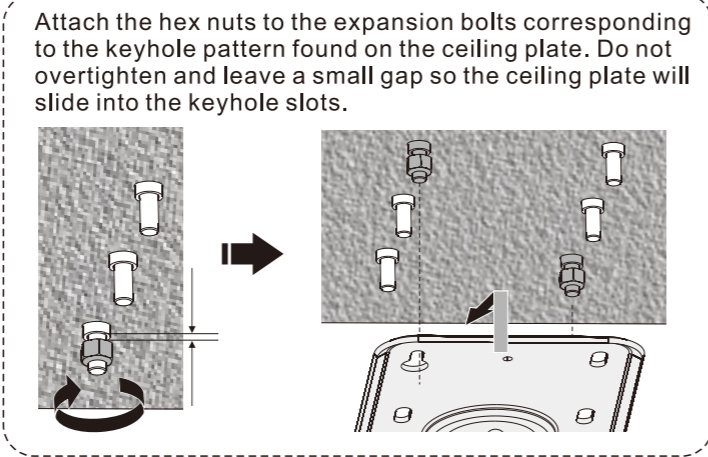
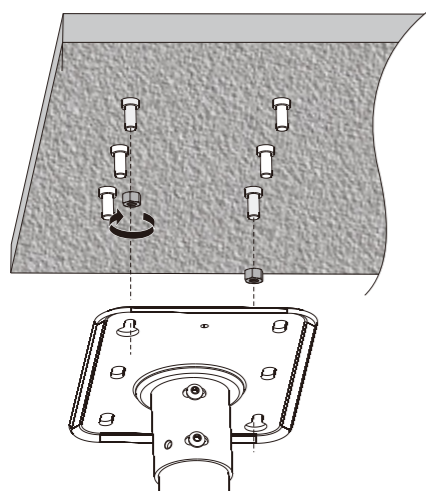
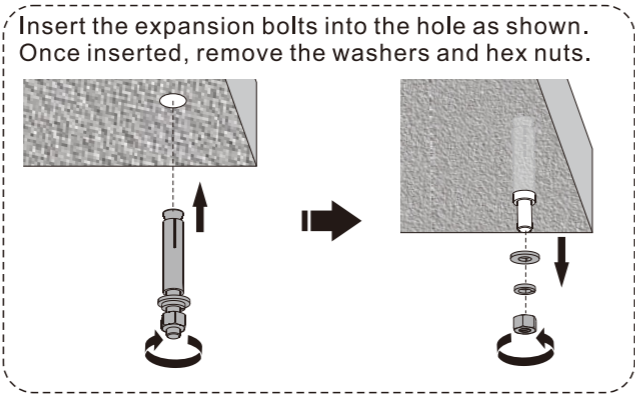
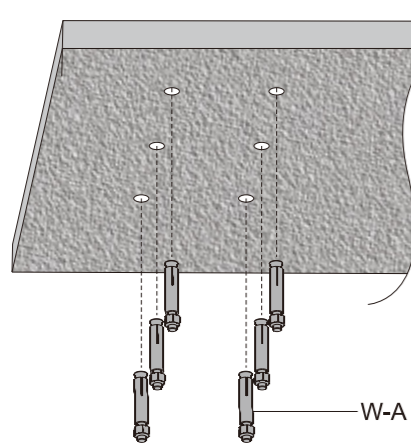
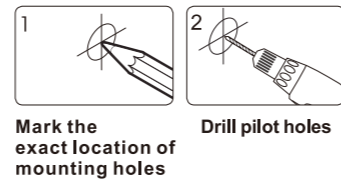
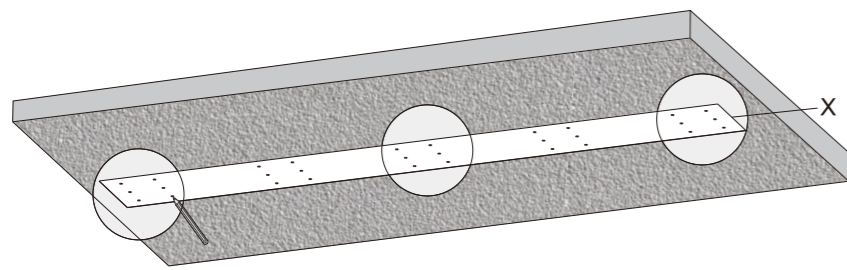
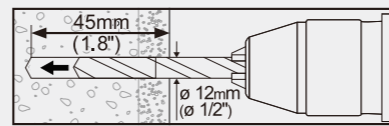
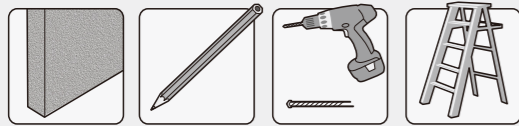
Package W x3



1. Assemble the Pole



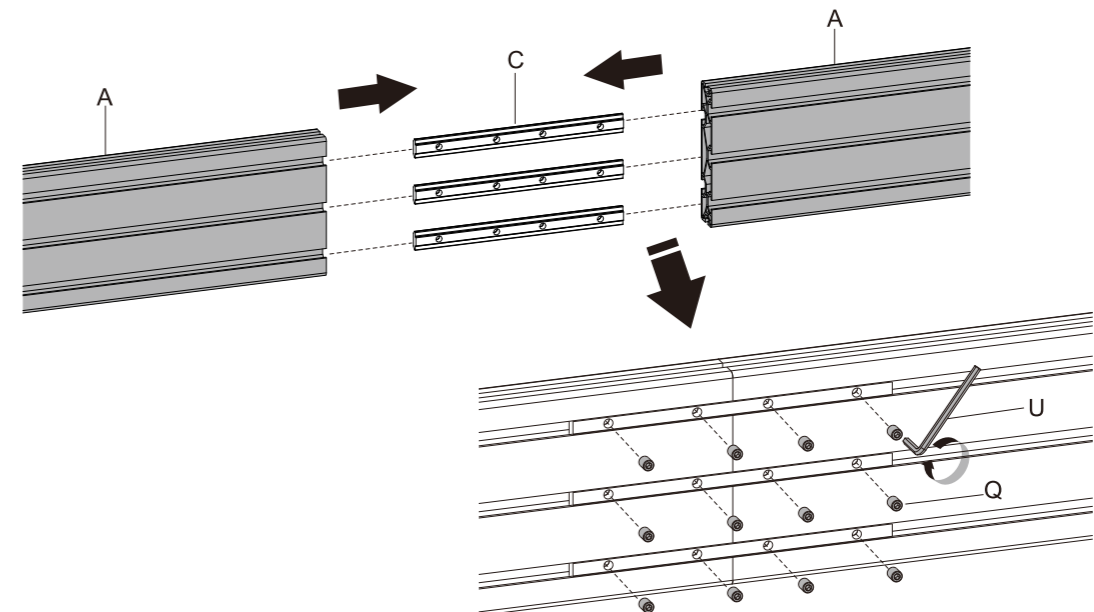
2. Attach Ceiling Plate to the Concrete Ceiling



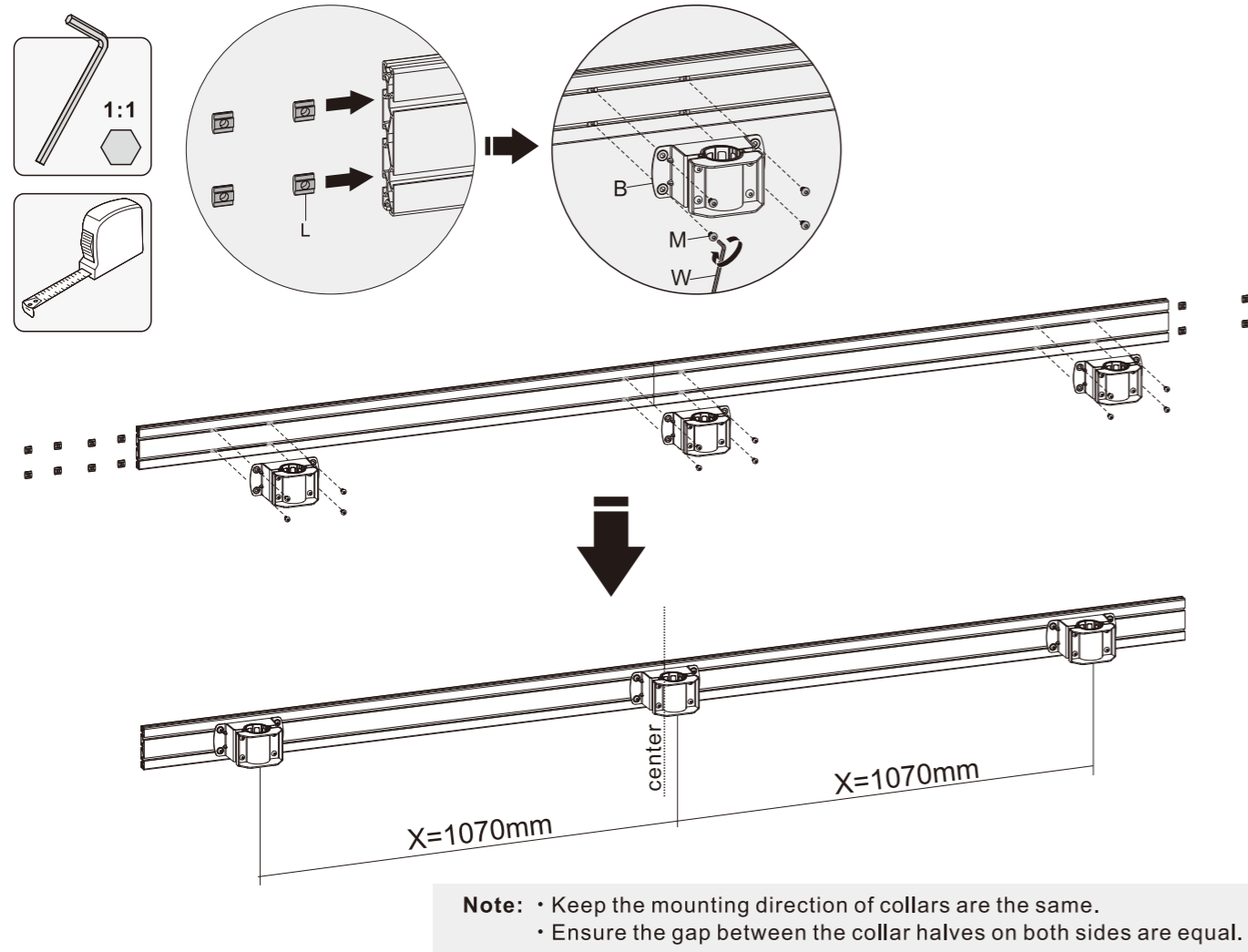
! WARNING

Installers must verify that the supporting surface will safely support the combined weight of the equipment and all attached hardware and components.

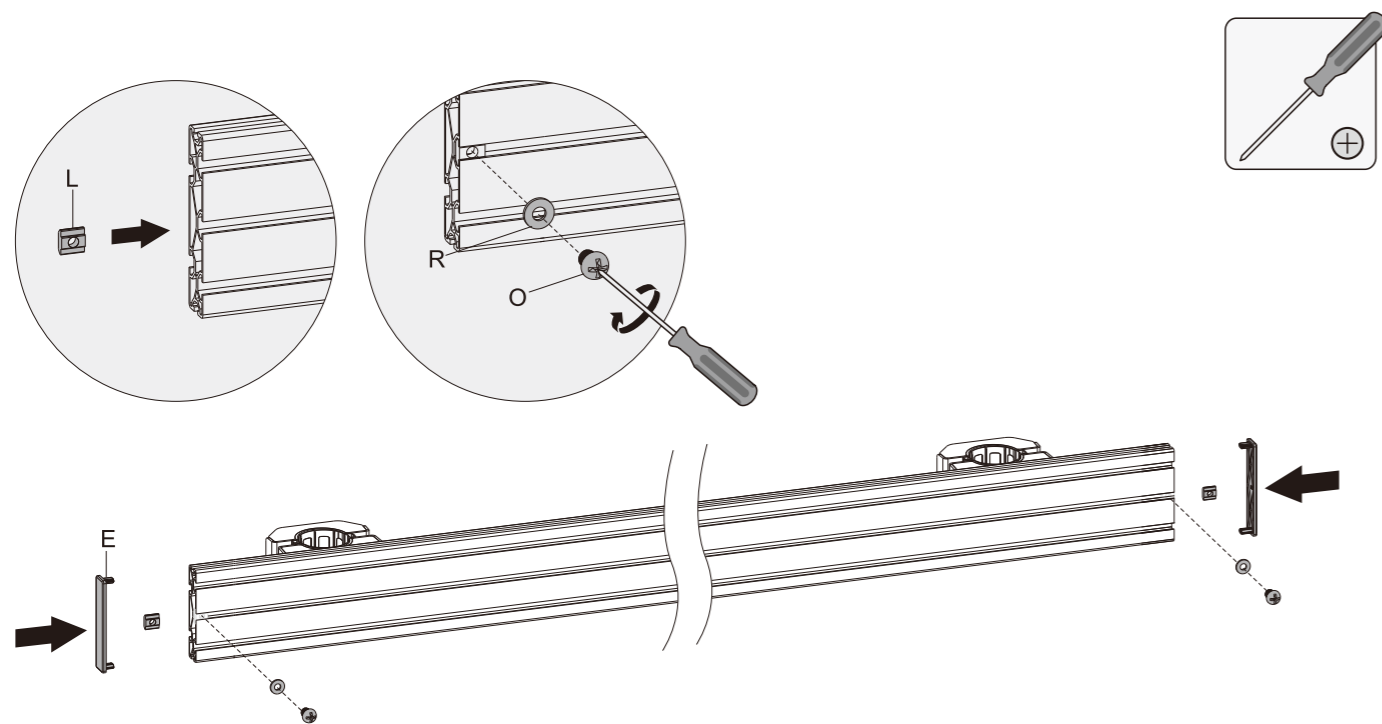
3. Extend the Mounting Rail



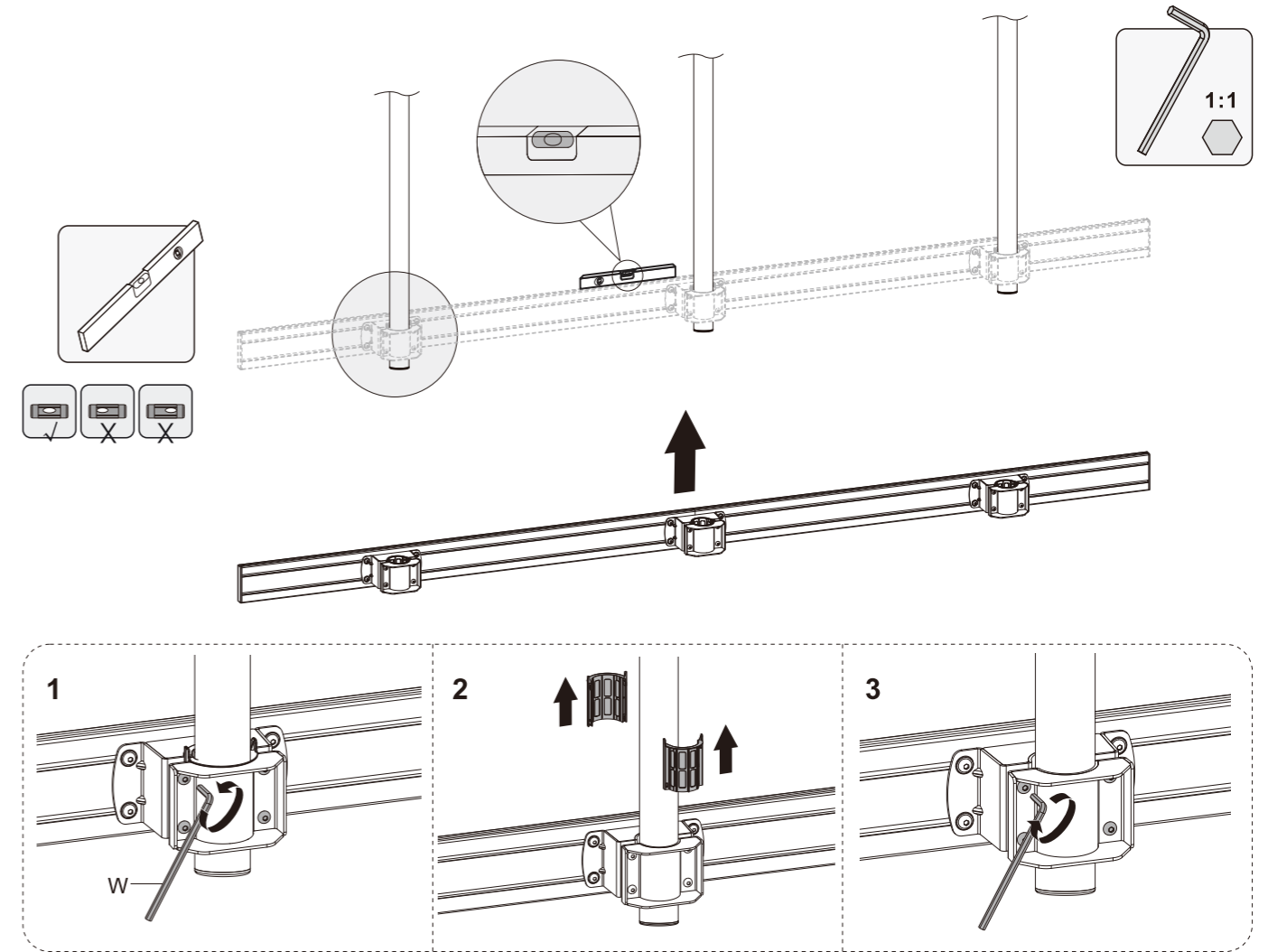
4. Attach Collar to the Mounting Rail



5. Install the End Cap

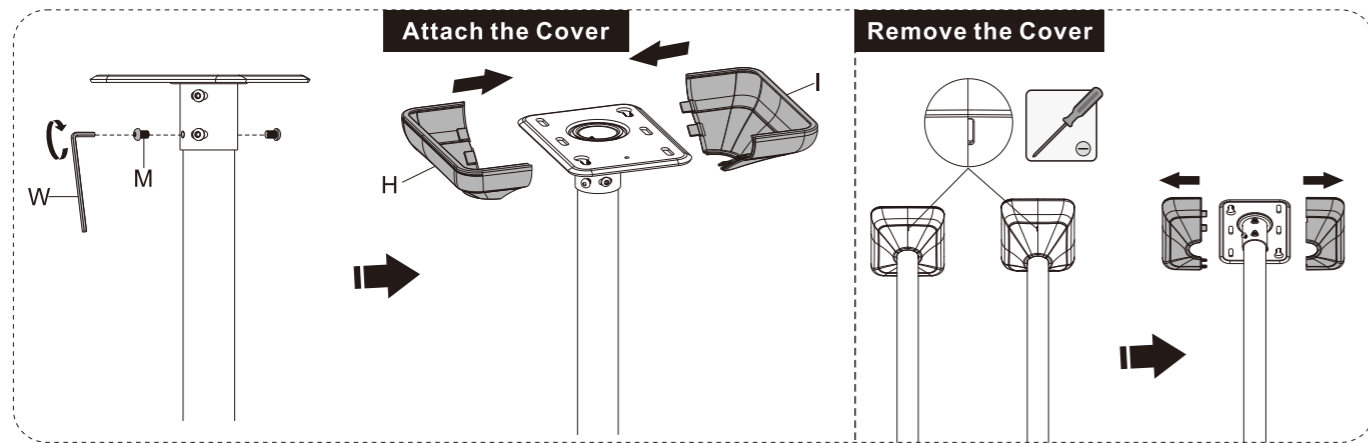
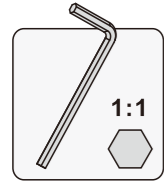
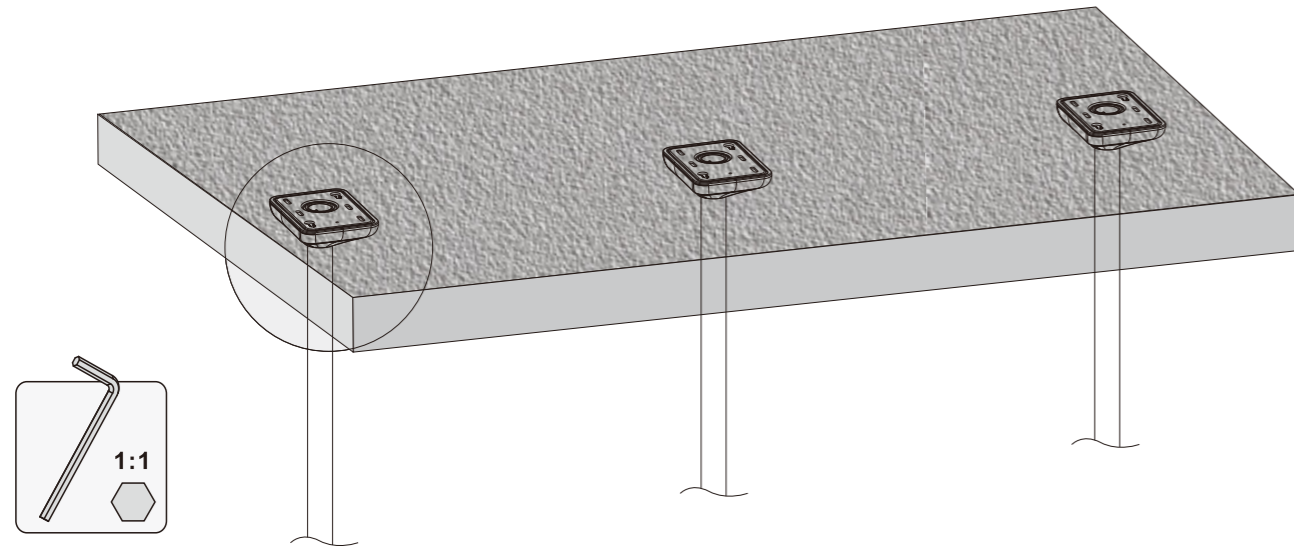


6. Attach Mounting Rail to Pole

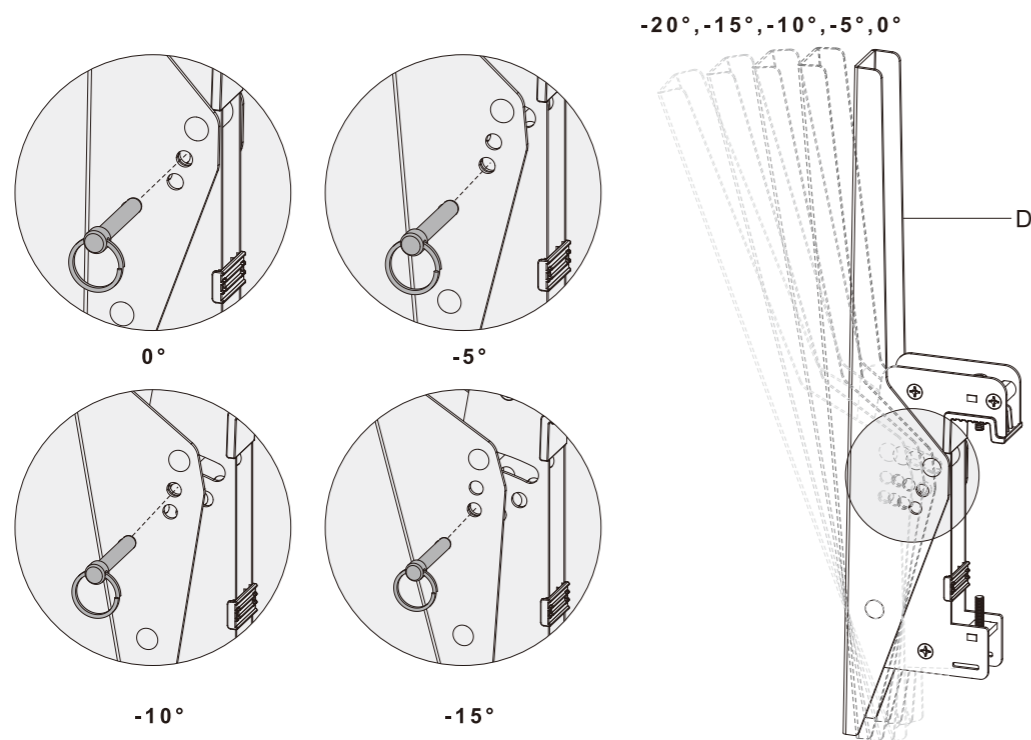


Once the rail has been determined, firmly tighten the bottom rail to the mounting poles as shown prior to mounting the displays.

7. Install the Plastic Cover



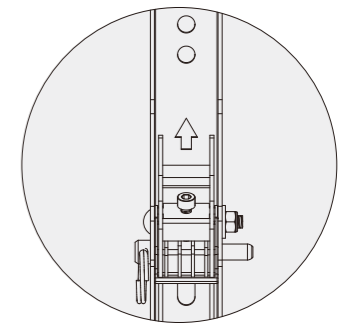
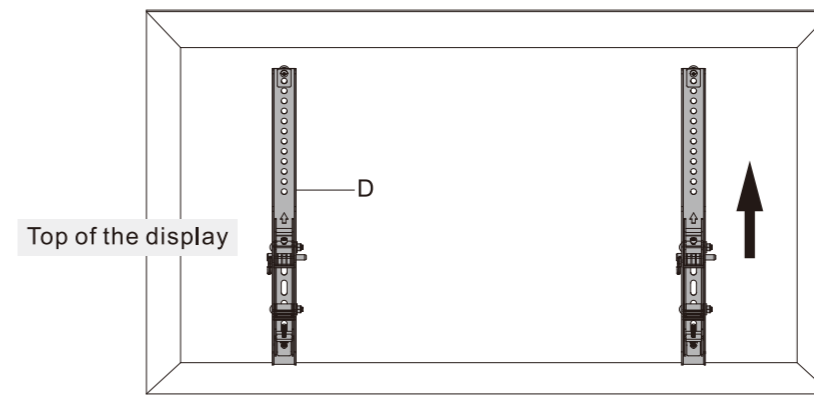
8. Tilt Adjustment



-20° is the natural angle and the safety pin is unnecessary.

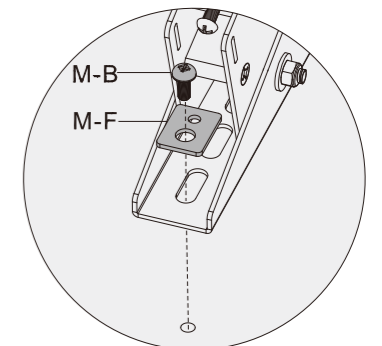
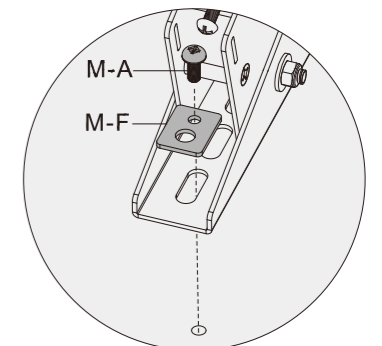
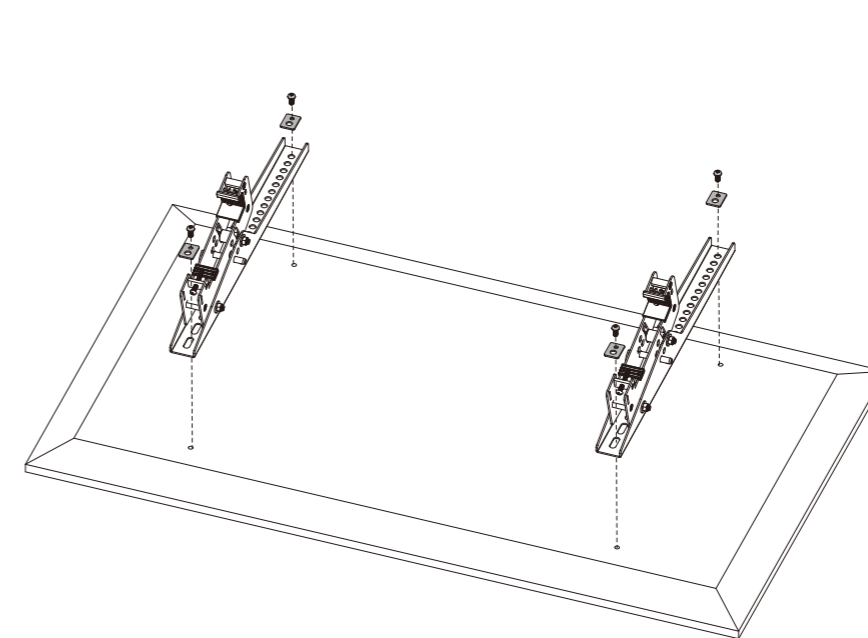
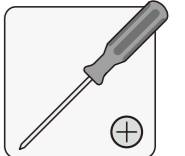
9. Attach TV Bracket

Position the adapter brackets as close as possible to the center of the display.



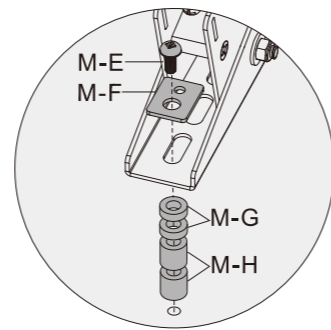
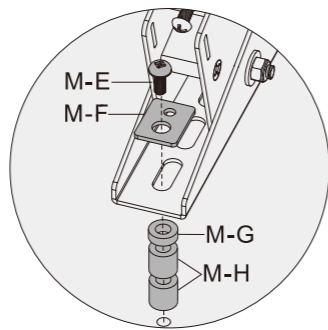
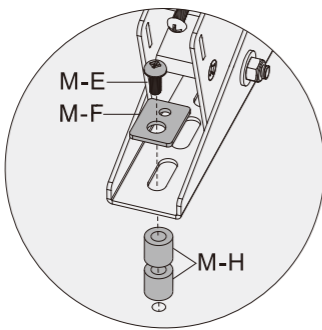
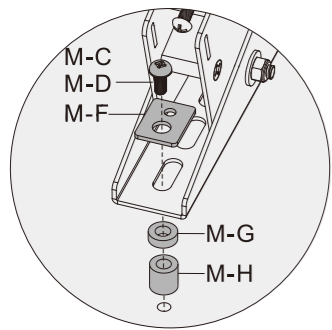
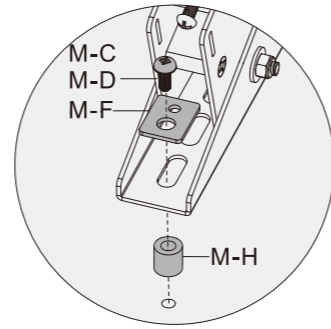
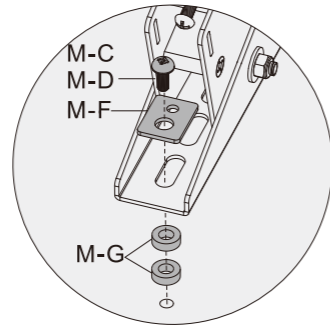
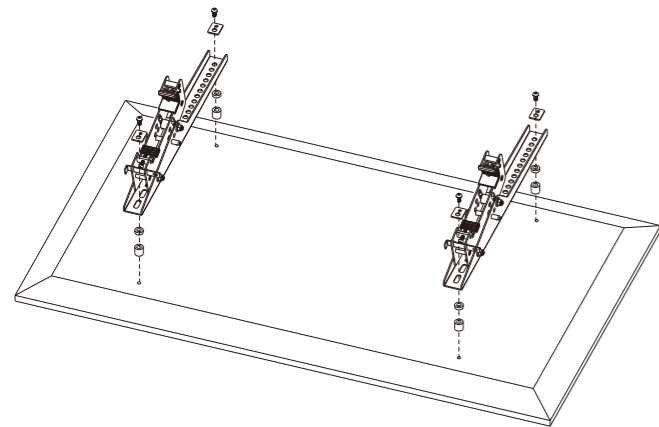
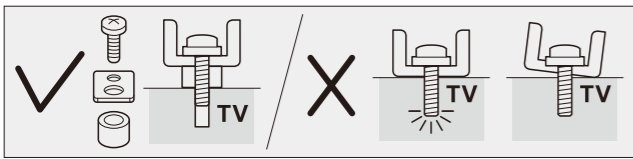
With the arrow pointing up

9a. Attach TV Bracket to Flat Back Screen



M-A		M-B		1:1
M-F				

9b. Attach TV Bracket to Irregular Back Screen



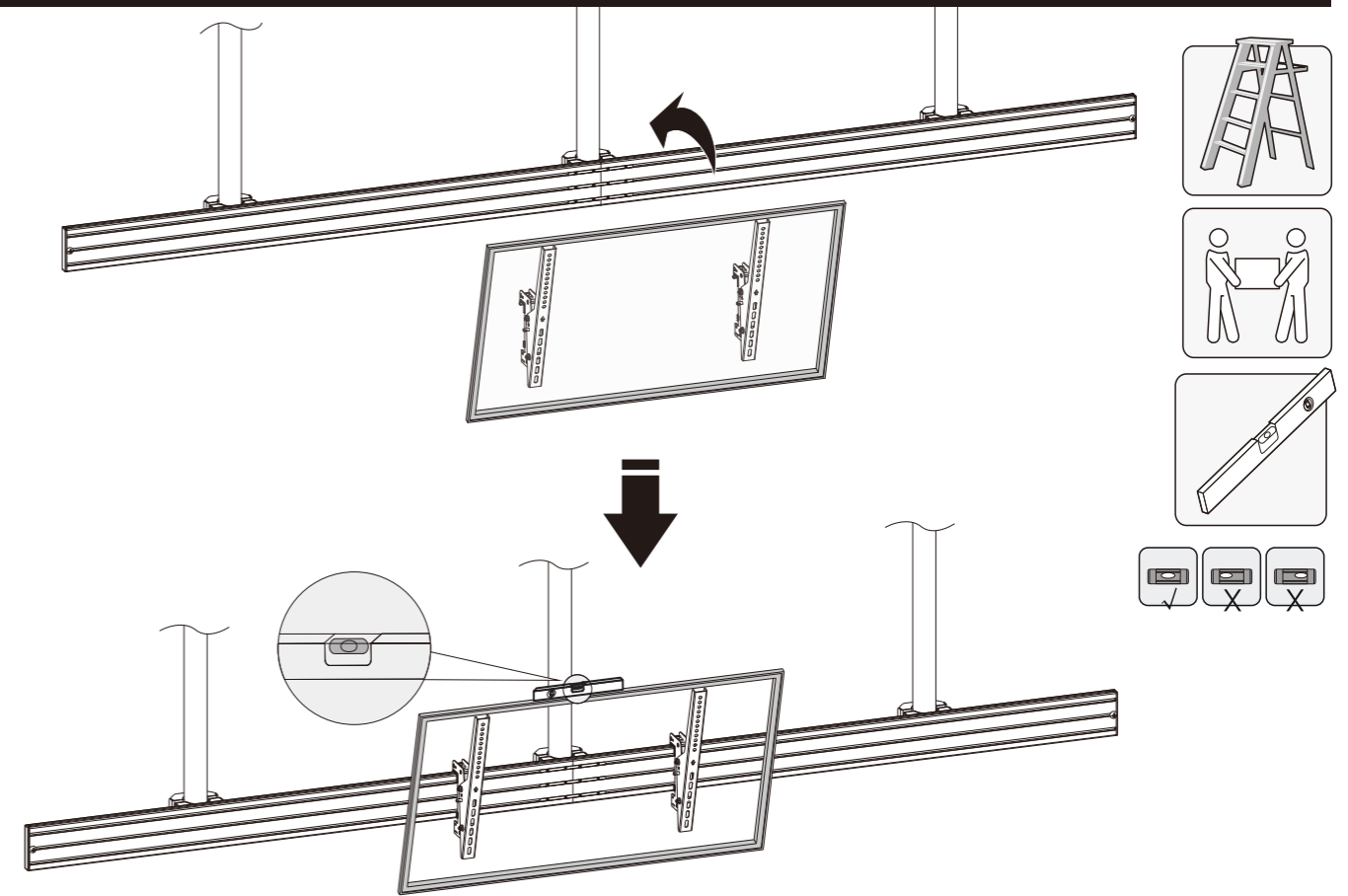
M-C		M-D	
M-E		M-F	
M-G		M-H	

1:1

Note: Choose the appropriate screws, washers and spacers (if necessary) according to the type of screen.

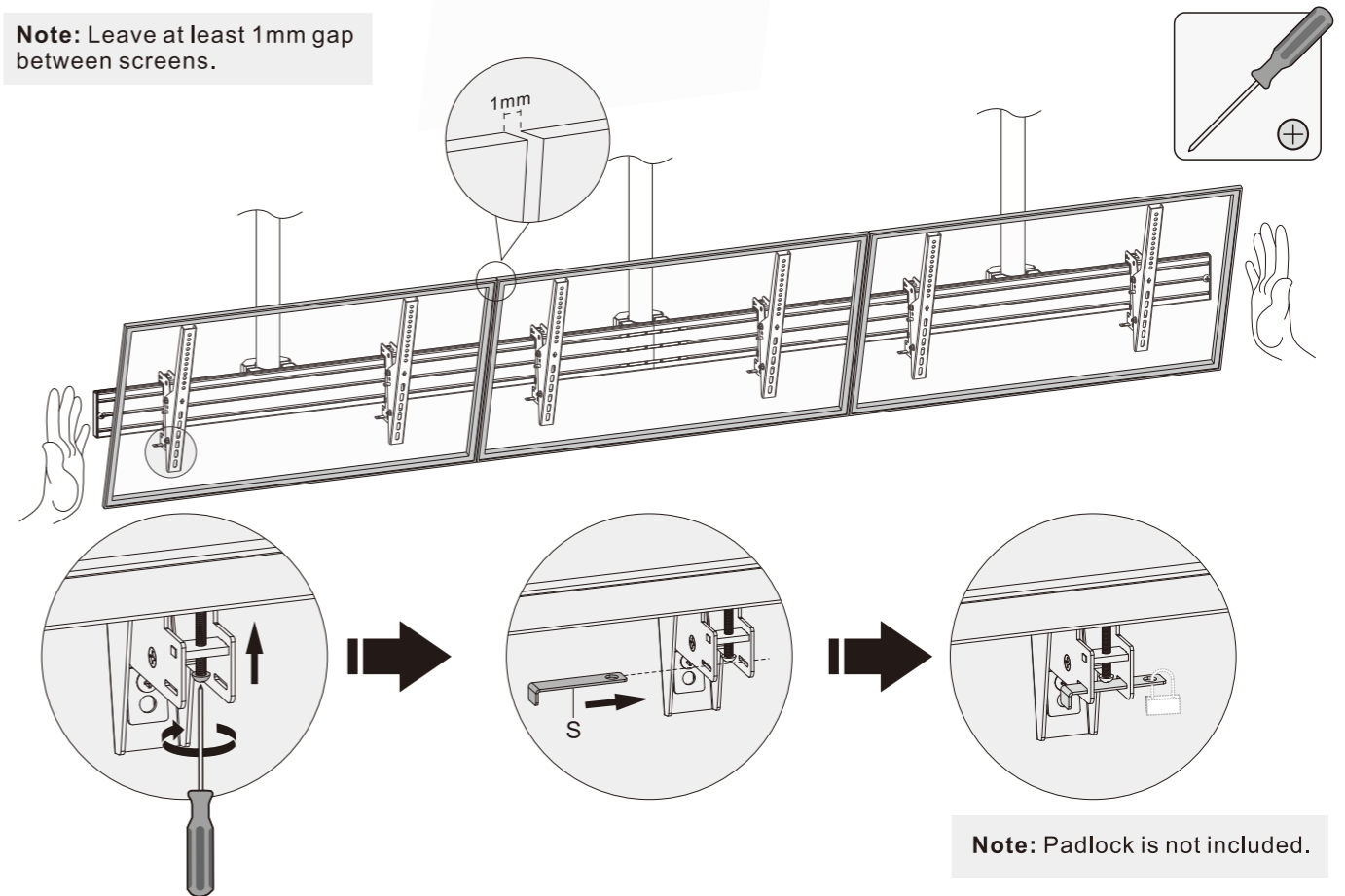
Do not overtighten screws.

10. Hang the Screen



11. Secure with Padlock

Note: Leave at least 1mm gap between screens.



Note: Padlock is not included.