



S280 INDUSTRIAL CABINETS (IP66)

The S280 Industrial range is an enclosure designed for harsh or tough indoor and outdoor environments. Suited to process control applications, remote site applications, and anywhere that demands a high level of protection for equipment.

FEATURES

Dust & Moisture	IP66 rated*
Frame	Heavy duty, continuous seam welded 1000kg load rated
Plinth	Standard 90mm high
Levelling	Levelling feet - Standard
Bolt Down Provisions	Standard
Doors	Fitted with wind stops Concealed multipoint hinges Protected multipoint locking system Lift and swing handle with key lock LH to RH reversible 180° swing *6RU & 12RU are fitted with single point locking
IP Seal	All doors and sides are sealed using purpose made Form in Place foam gaskets for a high standard IP seal rating
Rack Mounting Angle	Adjustable front & rear
Cable Access	Provided at the base combining of two 50 x 200 cut-outs fitted with cover plates
Lifting Eye Bolts	Standard - 400kg Vertical Lift Rated

* When fitted with metal doors and plain side panels

OPTIONS

Element Protection	Available in Galvaneal Zinc Seal Steel, 316 Stainless Steel or Aluminium
Knockdown Flat Pack	Available
Doors	Glazed / Metal
Gear Trays	Available fitted to the rear
Rear Panels	Available to replace a rear door
Side Panels	Removable and fitted with security screws
Weather Hood	For added protection
Venting	Louvring in the side panels or doors. Note: this will reduce the overall IP rating of the enclosure. Fans, filters and vermin protection can be fitted internally to louvres
Sun Shields	Can be installed on to all external panels
Heavy Duty Plinth	With forklift provisions
Air Conditioners	Side and roof mounted
Castor Plinth	Available
Baying	Can be bayed together
Security	High security locks, door switches

Refer to accessory section for plinths, lifting eyes etc.

SIZES

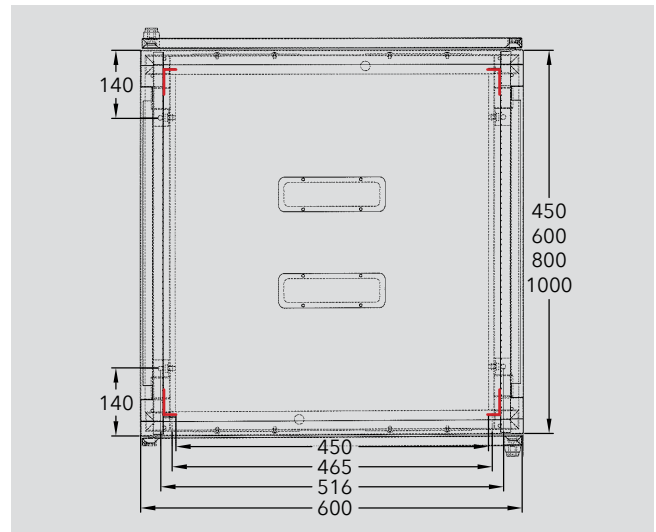
Heights (RU)	6, 12, 18, 27, 39, 42, 45
Depths (mm)	450, 600, 800, 1000
Widths (mm)	600, 800**

** Internally reduced to 19" racking.
To establish overall depth of cabinet add 25mm for each door.
Frame does not include doors or sides, these must be ordered separately.

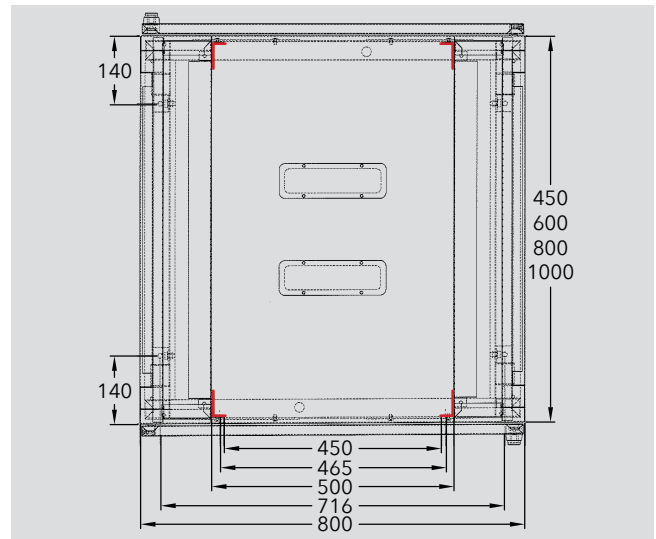
DEPTH (MM)	MAX MOUNTING DEPTH (MM)
450	440
600	590
800	790
1000	990

FINISH

Frame	34002-44 Sable Black (Other colours available upon request)
Panels	All components have a zinc phosphate pre-treatment prior to powder coating. 34002-44 Sable Black 34002-60 Monument 34002-61 Deep Ocean 34002-62 Dune 34002-63 Paperbark 34002-64 White



600 Wide



800/19" Wide

Building Enclosures for Shock and Vibration

MFB uses over 50 years of manufacturing experience to build enclosures to MIL standards for shock and vibration.

The knowledge gained during past testing and project construction of enclosures has provided MFB with the skills and manufacturing standards it must use, so all its MIL standard products will withstand the harsh environments for which they are designed for.

MFB uses this experience during the design phase to create an enclosure which can be provided with an in-house certificate of compliance for the purposes of your particular project.

Enclosures are currently being used in Military and Commercial applications and in many instances these enclosures conformed to MIL-STD-901D and MIL-STD-167 for Shock and Vibration. Alternatively MFB can arrange for enclosures to be tested. Price on application.

FRAME

DIMENSIONS			600MM WIDE CABINET SOLID SIDES				600MM WIDE CABINET REMOVABLE SIDES				800MM WIDE CABINET SOLID SIDES				800MM WIDE CABINET REMOVABLE SIDES			
RU	H	D	1 DR	KG	2 DR	KG	1 DR	KG	2 DR	KG	1 DR	KG	2 DR	KG	1 DR	KG	2 DR	KG
6	487	450	02250-01	24	02251-01	26	02252-01	25	02253-01	27	02250-50	26	02251-50	28	02252-50	27	02253-50	29
		600	02250-07	29	02251-07	31	02252-07	30	02253-07	32	02250-56	31	02251-56	33	02252-56	32	02253-56	34
		800	02250-13	35	02251-13	37	02252-13	36	02253-13	38	02250-62	37	02251-62	39	02252-62	38	02253-62	40
		1000	02250-31	42	02251-19	44	02252-31	43	02253-19	45	02250-68	44	02251-68	46	02252-68	45	02253-68	47
12	754	450	02250-02	34	02251-02	37	02252-02	36	02253-02	39	02250-51	36	02251-51	39	02252-51	38	02253-51	41
		600	02250-08	40	02251-08	43	02252-08	42	02253-08	45	02250-57	42	02251-57	45	02252-57	44	02253-57	47
		800	02250-14	48	02251-14	51	02252-14	50	02253-14	53	02250-63	50	02251-63	53	02252-63	52	02253-63	55
		1000	02250-32	60	02251-20	63	02252-32	62	02253-20	65	02250-69	62	02251-69	65	02252-69	64	02253-69	67
18	1020	450	02250-03	44	02251-03	48	02252-03	47	02253-03	51	02250-52	46	02251-52	50	02252-52	49	02253-52	53
		600	02250-09	51	02251-09	55	02252-09	54	02253-09	58	02250-58	53	02251-58	57	02252-58	56	02253-58	60
		800	02250-15	61	02251-15	65	02252-15	64	02253-15	68	02250-64	63	02251-64	67	02252-64	66	02253-64	70
		1000	02250-33	81	02251-21	89	02252-33	88	02253-21	92	02250-70	83	02251-70	91	02252-70	90	02253-70	94
27	1420	450	02250-04	60	02251-04	65	02252-04	64	02253-04	69	02250-53	62	02251-53	67	02252-53	66	02253-53	71
		600	02250-10	69	02251-10	74	02252-10	73	02253-10	78	02250-59	71	02251-59	76	02252-59	75	02253-59	80
		800	02250-16	81	02251-16	86	02252-16	85	02253-16	90	02250-65	83	02251-65	88	02252-65	87	02253-65	92
		1000	02250-34	93	02251-22	97	02252-34	95	02253-22	100	02250-71	95	02251-71	99	02252-71	98	02253-71	102
39	1954	450	02250-05	80	02251-05	87	02252-05	85	02253-05	92	02250-54	82	02251-54	89	02252-54	87	02253-54	94
		600	02250-11	92	02251-11	99	02252-11	97	02253-11	104	02250-60	94	02251-60	101	02252-60	99	02253-60	106
		800	02250-17	106	02251-17	113	02252-17	111	02253-17	118	02250-66	108	02251-66	115	02252-66	113	02253-66	120
		1000	02250-35	118	02251-23	125	02252-35	123	02253-23	130	02250-72	120	02251-72	127	02252-72	125	02253-72	132
42		450	02250-74	89	02251-74	96	02252-74	94	02253-74	101	02250-78	91	02251-78	98	02252-78	96	02253-78	103
		600	02250-75	101	02251-75	108	02252-75	106	02253-75	113	02250-79	103	02251-79	110	02252-79	108	02253-79	115
		800	02250-76	117	02251-76	122	02252-76	120	02253-76	127	02250-80	107	02251-80	124	02252-80	122	02253-80	129
		1000	02250-77	133	02251-77	135	02252-77	133	02253-77	140	02250-81	130	02251-81	137	02252-81	135	02253-81	142
45	2220	450	02250-06	90	02251-06	98	02252-06	96	02253-06	104	02250-55	92	02251-55	100	02252-55	98	02253-55	106
		600	02250-12	103	02251-12	111	02252-12	109	02253-12	117	02250-61	105	02251-61	113	02252-61	111	02253-61	119
		800	02250-18	120	02251-18	128	02252-18	126	02253-18	134	02250-67	122	02251-67	130	02252-67	128	02253-67	136
		1000	02250-36	135	02251-24	143	02252-36	141	02253-24	147	02250-73	137	02251-73	145	02252-73	143	02253-73	149

DOOR

RU	600MM		800MM	
	METAL	GLASS	METAL	GLASS
6	02080-01	02080-02	02080-20	02080-21
12	02080-03	02080-04	02080-22	02080-23
18	02080-05	02080-06	02080-24	02080-25
27	02080-07	02080-08	02080-26	02080-27
39	02080-09	02080-10	02080-28	02080-29
42	02080-15	02080-16	02080-32	02080-33
45	02080-11	02080-12	02080-30	02080-31

Note: LH hinged supplied as standard, RH hinged available upon request.

Custom Applications

Whilst MFB have an extensive range of standard IP rated enclosures, custom build enclosures can be produced to your specific needs. From cable entry ports, special size enclosures, wall mounts, swing frames, fans, louvres, sun shades or insulation, even manufactured to be supplied in knockdown form. MFB can produce the product that perfectly suits your needs.



Metal Door



Glass Door

SIDE PANELS

RU	D	STD	LOUVRES ON TOP			LOUVRES AT BOTTOM			PROVISIONS TO MOUNT AIR CONDITIONER (SEIFERT MODEL)					
			1 FAN	2 FAN	4 FAN	1 FAN	2 FAN	4 FAN	KG4305, KG4308, KG4310	KG4268	KG4269	KG4270	KG4272	KG4274
6	450	02084-01	-	-	-	-	-	-	-	-	-	-	-	-
	600	02084-07	-	-	-	-	-	-	-	-	-	-	-	-
	800	02084-13	-	-	-	-	-	-	-	-	-	-	-	-
	1000	02084-20	-	-	-	-	-	-	-	-	-	-	-	-
12	450	02084-02	02086-09	-	-	02086-58	-	-	-	-	-	-	-	-
	600	02084-08	02086-10	-	-	02086-59	-	-	-	-	-	-	-	-
	800	02084-14	02086-11	02086-12	02086-13	02086-60	02086-61	02086-62	-	-	-	-	-	-
	1000	02084-21	02086-38	02086-39	02086-40	02086-87	02086-88	02086-89	-	-	-	-	-	-
18	450	02084-03	02086-01	02086-04	-	02086-50	02086-53	-	-	-	-	-	-	-
	600	02084-09	02086-02	02086-05	02086-07	02086-51	02086-54	02086-56	02084-88	02084-127	02084-38	-	-	-
	800	02084-15	02086-03	02086-06	02086-08	02086-52	02086-55	02086-57	02084-89	02084-128	02084-39	-	-	-
	1000	02084-22	02086-41	02086-42	02086-43	02086-90	02086-91	02086-92	02084-90	02084-129	02084-64	-	-	-
27	450	02084-04	02086-14	02086-17	-	02086-63	02086-66	-	-	-	-	-	-	-
	600	02084-10	02086-15	02086-18	02086-20	02086-64	02086-67	02086-69	05084-91	02084-130	02084-40	02084-46	-	-
	800	02084-16	02086-16	02086-19	02086-21	02086-65	02086-68	02086-70	02084-92	02084-131	02084-41	02084-47	-	-
	1000	02084-23	02086-44	02086-45	02086-46	02086-93	02086-94	02086-95	02084-93	02084-132	02084-65	02084-69	-	-
39	450	02084-05	02086-22	02086-25	-	02086-71	02086-74	-	-	-	-	-	-	-
	600	02084-11	02086-23	02086-26	02086-28	02086-72	02086-75	02086-77	02084-94	02084-133	02084-42	02084-48	02084-52	02084-56
	800	02084-17	02086-24	02086-27	02086-29	02086-73	02086-76	02086-78	02084-95	02084-134	02084-43	02084-49	02084-53	02084-57
	1000	02084-24	02086-47	02086-48	02086-49	02086-96	02086-97	02086-98	02084-96	02084-135	02084-67	02084-70	02084-72	02084-74
42	450	02084-150	02086-105	02086-106	-	02086-116	02086-117	-	-	-	-	-	-	-
	600	02084-151	02086-107	02086-108	02086-109	02086-118	02086-119	02086-120	02084-170	02084-182	02084-155	02084-158	02084-161	02084-164
	800	02084-28	02086-111	02086-111	02086-112	02086-121	02086-122	02086-123	02084-171	02084-183	02084-156	02084-159	02084-162	02084-165
	1000	02084-27	02086-113	02086-114	02086-115	02086-124	02086-125	02086-126	02084-172	02084-184	02084-157	02084-160	02084-163	02084-166
45	450	02084-06	02086-30	02086-33	-	02086-79	02086-82	-	-	-	-	-	-	-
	600	02084-12	02086-31	02086-34	02086-36	02086-80	02086-83	02086-85	02084-97	02084-136	02084-44	02084-50	02084-54	02084-58
	800	02084-18	02086-32	02086-35	02086-37	02086-81	02086-84	02086-86	02084-98	02084-137	02084-45	02084-51	02084-55	02084-59
	1000	02084-25	02086-102	02086-103	02086-104	02086-99	02086-100	02086-101	02084-99	02084-138	02084-68	02084-71	02084-73	02084-75



LOUVRES

Louvres are used in conjunction with fan units and filters. Can be positioned in door or side panels, in groups according to the air flow requirements.

External louvre covers are also available upon request.



SEIFERT AIR CONDITIONING

Refer to the Seifert Air Conditioner range for information on the complete range of products available.

ACCESSORIES



CASTOR PLINTH

Added to the plinth base of the enclosure providing mobility and cable management.

DEPTH	600 WIDE	800 WIDE
600	02081-50	02081-53
800	02081-51	02081-54
1000	02081-52	02081-55



WEATHER HOOD

Used to provide additional protection to the top of the enclosure also reducing the amount of water at the front and rear when doors are open, made from stainless steel.

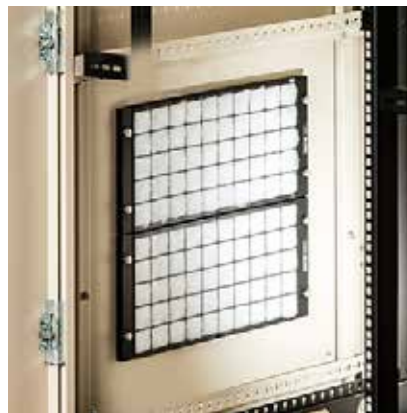
DEPTH	600 WIDE	800 WIDE
450	02082-10	02082-13
600	02082-11	02082-14
800	02082-12	02082-15
1000	02082-09	02082-16



FAN UNIT

Comprises of bracket, fan, lead and plug fully wired. Designed to be mounted on louvred side panels.

NO. OF FANS	CODE
1	02708-01
2	02708-03
4	02708-04



REMOVABLE FILTERS / INSECT SCREENS

Used in conjunction with louvres to assist with the prevention of dust and stop insects entering the cabinet. The unit is easily cleaned and replaceable.

NO. OF FANS	CODE
1	03006-01
2	03006-03
4	03006-02



LIFTING EYE BOLT

Forged steel and come with an M10 thread and a galvanised plated finish. These certified 250kg each load capacity eye bolts should be specified at time of ordering and for safe lifting, spreader bars should always be used.

Refer to General Notes on inside back cover.

TYPE (SET OF 4)	CODE
S280 Industrial / S2005	03033-05