



# S2005 CABINETS

The S2005 makes up one of the most comprehensive series of network, data centre and general application 19" rack systems on the market.

Designed and manufactured in Australia to be strong and robust with a 1000kg load capacity, a durable powder coated finish, and a state of the art frame design, the S2005 provides peace of mind in any situation.

The range is also continually evolving and improving with new and advanced options to ensure the product meets the demands of today's installations.



## FEATURES

<b>Frame</b>	Heavy duty, hemlocked, load rated 1000kg
<b>Rack Mounting Angles</b>	Adjustable front and rear
<b>Cable Access</b>	Removable bottom trims front and rear & top panel gland
<b>Bolt Down Provisions</b>	Available in base
<b>Venting</b>	Vented top panel (grille pattern)

## OPTIONS

<b>Doors</b>	180° swing, lift off hinges, LH or RH swing Single - Metal or Glass / Vented or Plain Double - Metal / Vented or Plain
<b>Security</b>	Multipoint Locking Swing Handles High Security Locks Door Switches
<b>Side Panels</b>	Snap-on with option for key locking
<b>Roof Fan Trays</b>	2, 4 and 6 fan versions with optional thermostat and speed controller
<b>Roof Cabling</b>	Cable ducts (adjustable in height)
<b>RU Markers</b>	Printed on mounting angles front & rear
<b>Mobility</b>	Castors with brake option (adds 30mm to height)
<b>Levelling</b>	Levelling feet (adjustable)
<b>Stabilizing</b>	Retractable feet at front
<b>Lifting</b>	Lifting eye bolts (400kg rating)
<b>Cable Glands</b>	Brushed
<b>Baying</b>	Bayable in rows

## FINISH

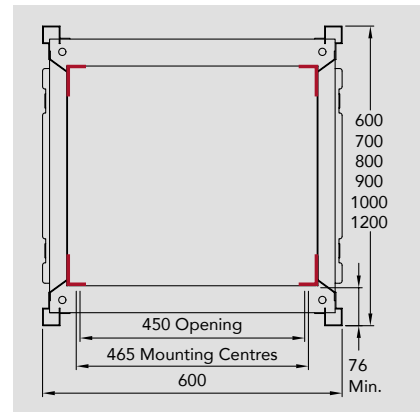
<b>Frame</b>	<div style="display: flex; align-items: center;"> <div style="width: 15px; height: 15px; background-color: black; margin-right: 5px;"></div> <span><b>34002-44</b> Sable Black</span>                  (Other colours available upon request)             </div>
<b>Panels</b>	All components have a zinc phosphate pre-treatment prior to powder coating. <ul style="list-style-type: none"> <li><div style="display: flex; align-items: center; margin-bottom: 5px;"> <div style="width: 15px; height: 15px; background-color: #333; margin-right: 5px;"></div> <span><b>34002-44</b> Sable Black</span> </div> <div style="display: flex; align-items: center; margin-bottom: 5px;"> <div style="width: 15px; height: 15px; background-color: #666; margin-right: 5px;"></div> <span><b>34002-60</b> Monument</span> </div> <div style="display: flex; align-items: center; margin-bottom: 5px;"> <div style="width: 15px; height: 15px; background-color: #003366; margin-right: 5px;"></div> <span><b>34002-61</b> Deep Ocean</span> </div> <div style="display: flex; align-items: center; margin-bottom: 5px;"> <div style="width: 15px; height: 15px; background-color: #999; margin-right: 5px;"></div> <span><b>34002-62</b> Dune</span> </div> <div style="display: flex; align-items: center; margin-bottom: 5px;"> <div style="width: 15px; height: 15px; background-color: #663300; margin-right: 5px;"></div> <span><b>34002-63</b> Paperbark</span> </div> <div style="display: flex; align-items: center;"> <div style="width: 15px; height: 15px; background-color: #eee; margin-right: 5px;"></div> <span><b>34002-64</b> White</span> </div> </li></ul>

## SIZES

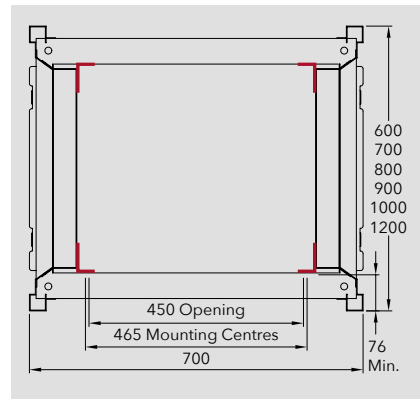
<b>Heights (RU)</b>	12, 18, 27, 33, 39, 42, 45
<b>Depths (mm)</b>	600, 700, 800, 900, 1000, 1200
<b>Widths (mm)</b>	600 (19" racking) 700* 800*

\*Reducer rack available, which offers 19" mounting in a 700mm or 800mm overall width cabinets, thus providing increased cabling space at the sides for larger installation.

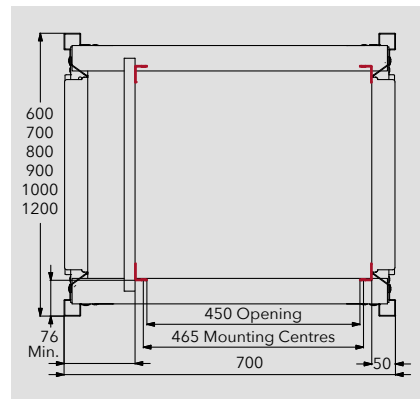
While MFB offer a large range of standard size cabinets, special sizes are available. Please discuss your needs with one of our sales representatives.



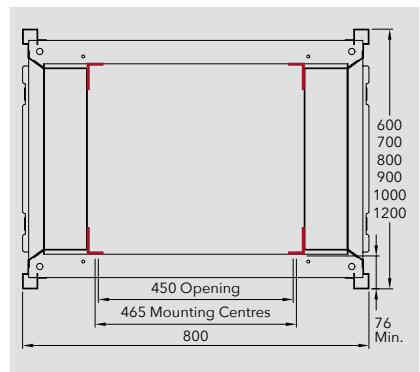
600 Wide



700/19" Wide



700/19" Offset



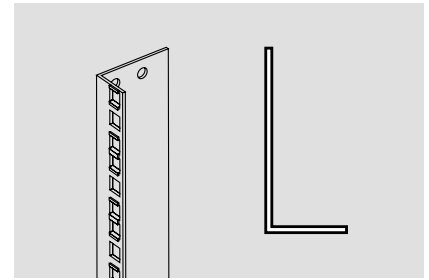
800/19" Wide

DEPTH (MM)	MAX MOUNTING DEPTH (MM)
600	448
700	548
800	648
900	748
1000	848
1200	1048

**FRAMES**

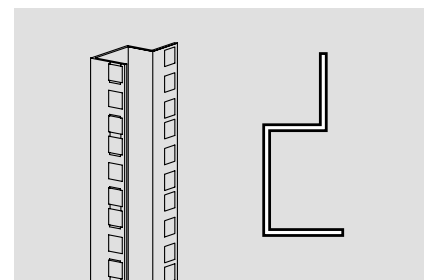
RU	OVERALL HEIGHT	TOTAL DEPTH	600 WIDE	KG	700/19" WIDE	KG	800/19" WIDE	KG
12	686	600	<b>06000-01</b>	34	<b>06002-50</b>	39	<b>06002-01</b>	42
		700	<b>06000-02</b>	40	<b>06002-51</b>	45	<b>06002-02</b>	48
		800	<b>06000-03</b>	43	<b>06002-52</b>	48	<b>06002-03</b>	51
		900	<b>06000-04</b>	47	<b>06002-53</b>	52	<b>06002-04</b>	55
		1000	<b>06000-05</b>	51	<b>06002-54</b>	56	<b>06002-05</b>	59
		1200	<b>06000-300</b>	56	<b>06002-90</b>	61	<b>06002-41</b>	63
18	953	600	<b>06000-06</b>	44	<b>06002-55</b>	49	<b>06002-06</b>	52
		700	<b>06000-07</b>	50	<b>06002-56</b>	55	<b>06002-07</b>	58
		800	<b>06000-08</b>	55	<b>06002-57</b>	60	<b>06002-08</b>	63
		900	<b>06000-09</b>	59	<b>06002-58</b>	64	<b>06002-09</b>	67
		1000	<b>06000-10</b>	63	<b>06002-59</b>	68	<b>06002-10</b>	71
		1200	<b>06000-301</b>	67	<b>06002-91</b>	72	<b>06002-42</b>	75
27	1353	600	<b>06000-11</b>	59	<b>06002-65</b>	64	<b>06002-11</b>	68
		700	<b>06000-12</b>	65	<b>06002-66</b>	70	<b>06002-12</b>	74
		800	<b>06000-13</b>	73	<b>06002-67</b>	78	<b>06002-13</b>	82
		900	<b>06000-14</b>	77	<b>06002-68</b>	82	<b>06002-14</b>	86
		1000	<b>06000-15</b>	81	<b>06002-69</b>	86	<b>06002-15</b>	90
		1200	<b>06000-303</b>	85	<b>06002-93</b>	90	<b>06002-44</b>	94
33	1619	600	<b>06000-16</b>	69	<b>06002-70</b>	74	<b>06002-16</b>	80
		700	<b>06000-17</b>	75	<b>06002-71</b>	80	<b>06002-17</b>	87
		800	<b>06000-18</b>	83	<b>06002-72</b>	88	<b>06002-18</b>	95
		900	<b>06000-19</b>	87	<b>06002-73</b>	92	<b>06002-19</b>	99
		1000	<b>06000-20</b>	91	<b>06002-74</b>	96	<b>06002-20</b>	103
		1200	<b>06000-304</b>	95	<b>06002-94</b>	100	<b>06002-45</b>	107
39	1886	600	<b>06000-21</b>	79	<b>06002-75</b>	84	<b>06002-21</b>	90
		700	<b>06000-22</b>	86	<b>06002-76</b>	91	<b>06002-22</b>	98
		800	<b>06000-23</b>	96	<b>06002-77</b>	101	<b>06002-23</b>	108
		900	<b>06000-24</b>	100	<b>06002-78</b>	105	<b>06002-24</b>	112
		1000	<b>06000-25</b>	104	<b>06002-79</b>	109	<b>06002-25</b>	116
		1200	<b>06000-305</b>	108	<b>06002-95</b>	113	<b>06002-46</b>	120
42	2019	600	<b>06000-26</b>	84	<b>06002-80</b>	89	<b>06002-26</b>	96
		700	<b>06000-27</b>	91	<b>06002-81</b>	96	<b>06002-27</b>	104
		800	<b>06000-28</b>	102	<b>06002-82</b>	107	<b>06002-28</b>	115
		900	<b>06000-29</b>	106	<b>06002-83</b>	111	<b>06002-29</b>	119
		1000	<b>06000-30</b>	110	<b>06002-84</b>	115	<b>06002-30</b>	123
		1200	<b>06000-306</b>	114	<b>06002-96</b>	119	<b>06002-47</b>	127
45	2153	600	<b>06000-31</b>	89	<b>06002-85</b>	94	<b>06002-31</b>	101
		700	<b>06000-32</b>	97	<b>06002-86</b>	102	<b>06002-32</b>	109
		800	<b>06000-33</b>	109	<b>06002-87</b>	114	<b>06002-33</b>	121
		900	<b>06000-34</b>	113	<b>06002-88</b>	118	<b>06002-34</b>	125
		1000	<b>06000-35</b>	117	<b>06002-89</b>	122	<b>06002-35</b>	129
		1200	<b>06000-307</b>	121	<b>06002-97</b>	126	<b>06002-48</b>	133

**MOUNTING ANGLES**



**TYPE A PROFILE (STANDARD)**

RU	CODE	RU PRINTED
12	<b>12008-43</b>	<b>02015-01</b>
18	<b>12008-07</b>	<b>02015-02</b>
27	<b>12008-01</b>	<b>02015-03</b>
33	<b>12008-45</b>	<b>02015-04</b>
39	<b>12008-03</b>	<b>02015-05</b>
42	<b>12008-21</b>	<b>02015-07</b>
45	<b>12008-05</b>	<b>02015-06</b>



**TYPE C PROFILE (OPTIONAL)**

RU	CODE	RU PRINTED
12	<b>12009-19</b>	<b>02015-10</b>
18	<b>12009-15</b>	<b>02015-11</b>
27	<b>12009-01</b>	<b>02015-12</b>
33	<b>12009-39</b>	<b>02015-13</b>
39	<b>12009-03</b>	<b>02015-14</b>
42	<b>12009-21</b>	<b>02015-16</b>
45	<b>12009-05</b>	<b>02015-15</b>



RU Printed Mounting Angle

The Series 2005 Cabinet generally conforms to IEC 60297 and AS1939 practice. Weights are for Frame sides, 2 metal doors & Mounting angles.

## DOORS

These innovatively designed doors are a feature of the S2005 cabinet range. The unique box fold on both sides of the door was developed employing state of the art bending technology and machinery that provided the platform for the development of these doors. This technique ensures that the doors will be both light and strong.

The S2005 cabinet glass doors feature an adhesive seal which is directly applied onto the door surface, creating a secure mount design between the metal frame and glass. An acrylic alternative is optional.

Apart from the double doors all are fitted with left hand hinges, unless right hand is requested. All hinges allow the door to swing a full 180 degrees and the door can be lifted off once it has swung past 90 degrees. The lift off feature and the double doors are useful when the cabinets are sited in a confined space e.g.. In a passageway.

All lock systems are concealed within the unique box fold design. Standard locks are single point. The double doors are fitted with 3 point locking. For increased security, doors can be fitted with a different key number, an individual lock system, or a registered BiLock / Abloy locking system. In all cases, these lock styles can be supplied fitted to 3 point locking systems.

On vented glazed doors venting is provided down both sides of the window, while the metal doors have significant punching to achieve maximum airflow over the entire door surface.

The finish on doors is a powder coat and can be colour matched to the side panels, or existing cabinets.



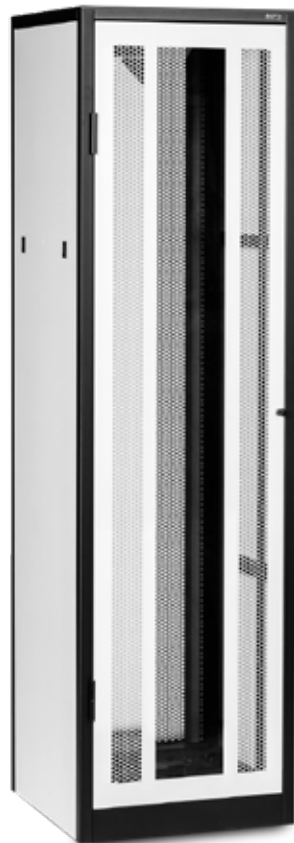
Plain



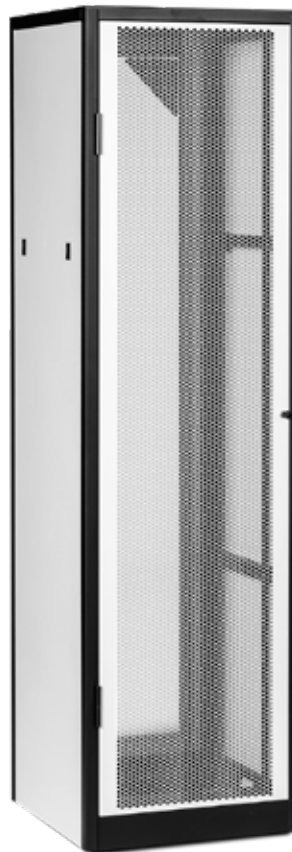
Double



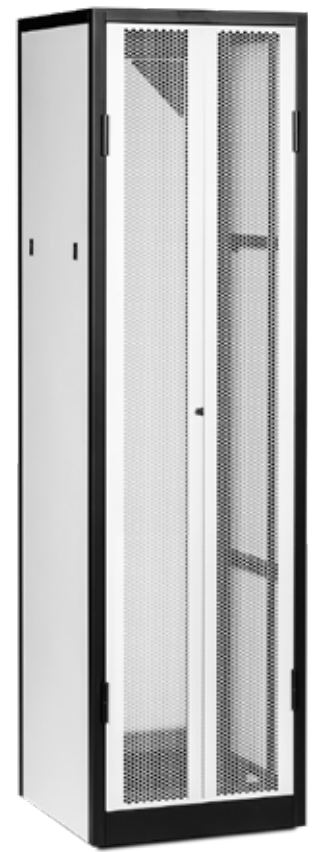
Glazed



Glazed - Vented



Vented



Double - Vented

**DOORS**

RU	TYPE	VENTING	LH 600	RH 600	LH 700	RH 700	LH 800	RH 800	
12*	Metal Lockable	Plain	06003-01	06003-40	06003-130	06003-131	06003-20	06003-50	
		Vented	06101-40	06101-41	06101-60	06101-61	06101-80	06101-81	
	Glass Lockable	Plain	06003-150	06003-170	06003-190	06003-191	06003-160	06003-180	
		Vented	06003-210	06003-226	06003-242	06003-243	06003-218	06003-234	
18	Metal Lockable	Plain	06003-02	06003-41	06003-132	06003-133	06003-21	06003-51	
		Vented	06101-42	06101-43	06101-62	06101-63	06101-82	06101-83	
	Double Doors	Plain	06010-06	06010-06	06010-09	06010-09	06010-18	06010-18	
		Vented	06010-27	06010-27	06010-36	06010-36	06010-45	06010-45	
	Glass Lockable	Plain	06003-151	06003-171	06003-192	06003-193	06003-161	06003-181	
		Vented	06003-211	06003-227	06003-244	06003-245	06003-219	06003-235	
	27	Metal Lockable	Plain	06003-03	06003-42	06003-136	06003-137	06003-22	06003-52
			Vented	06101-44	06101-45	06101-64	06101-65	06101-84	06101-85
Double Doors		Plain	06010-01	06010-01	06010-10	06010-10	06010-19	06010-19	
		Vented	06010-28	06010-28	06010-37	06010-37	06010-46	06010-46	
Glass Lockable		Plain	06003-152	06003-172	06003-196	06003-197	06003-162	06003-182	
		Vented	06003-212	06003-228	06003-248	06003-249	06003-220	06003-236	
33	Metal Lockable	Plain	06003-04	06003-43	06003-138	06003-139	06003-23	06003-53	
		Vented	06101-46	06101-47	06101-66	06101-67	06101-86	06101-87	
	Double Doors	Plain	06010-02	06010-02	06010-11	06010-11	06010-20	06010-20	
		Vented	06010-29	06010-29	06010-38	06010-38	06010-47	06010-47	
	Glass Lockable	Plain	06003-153	06003-173	06003-198	06003-199	06003-163	06003-183	
		Vented	06003-213	06003-229	06003-250	06003-251	06003-221	06003-237	
39	Metal Lockable	Plain	06003-05	06003-44	06003-140	06003-141	06003-24	06003-54	
		Vented	06101-48	06101-49	06101-68	06101-69	06101-88	06101-89	
	Double Doors	Plain	06010-03	06010-03	06010-12	06010-12	06010-21	06010-21	
		Vented	06010-30	06010-30	06010-39	06010-39	06010-48	06010-48	
	Glass Lockable	Plain	06003-154	06003-174	06003-200	06003-201	06003-164	06003-184	
		Vented	06003-214	06003-230	06003-252	06003-253	06003-222	06003-238	
42	Metal Lockable	Plain	06003-06	06003-45	06003-142	06003-143	06003-25	06003-55	
		Vented	06101-50	06101-51	06101-70	06101-71	06101-90	06101-91	
	Double Doors	Plain	06010-04	06010-04	06010-13	06010-13	06010-22	06010-22	
		Vented	06010-31	06010-31	06010-40	06010-40	06010-49	06010-49	
	Glass Lockable	Plain	06003-155	06003-175	06003-202	06003-203	06003-165	06003-185	
		Vented	06003-215	06003-231	06003-254	06003-255	06003-223	06003-239	
45	Metal Lockable	Plain	06003-07	06003-46	06003-144	06003-145	06003-26	06003-56	
		Vented	06101-52	06101-53	06101-72	06101-73	06101-92	06101-93	
	Double Doors	Plain	06010-05	06010-05	06010-14	06010-14	06010-23	06010-23	
		Vented	06010-32	06010-32	06010-41	06010-41	06010-50	06010-50	
	Glass Lockable	Plain	06003-156	06003-176	06003-204	06003-205	06003-166	06003-186	
		Vented	06003-216	06003-232	06003-256	06003-257	06003-224	06003-240	

\*Double Doors not available in 12RU.  
All doors are available in non-lockable magnetic if required, please ask our sales staff for information.

**DOOR OPTIONS**



**LIFT & SWING HANDLE**

All S2005 series doors are available with a “lift & swing” handle; this handle may be linked to either a single-point lock, multi-point lock rods or Bi-lock.

NOTE: Please contact our sales staff for further information.



**SMARTLOCK HANDLE**

IP addressable smartlock systems are available for the S2005 range of doors. Providing flexibility, remote locking and traceability, the smartlock system with temperature and humidity sensing, can be fitted to all door configurations.

NOTE: Please contact our sales staff for further information.



**MULTI-POINT**

For added security, an optional multi-point locking system is available. The standard centre lock flag is retained and is coupled to rods; which lock the top and bottom of the door. Security with the multipoint systems can be further upgraded by the addition of ‘BiLock’ or similar locks.



**BILOCKS**

BiLocks may be specified when added security is a requirement. They can be keyed to a series with a master key and can be fitted to all sides and doors.

NOTE: Please contact our sales staff for further information.



**SEAL KIT**

This seal kit enables a higher level of protection from dust and water on the S2005 range of cabinets. When seal is fitted to all doors and sides of the cabinet, and when used in conjunction with the plain top panel, it provides protection of around IP34.

RU	CODE
12	06018-15
18	06018-15
27	06018-01
33	06018-02
39	06018-03
42	06018-04
45	06018-05

RU	CODE
12	06024-01
18	06024-02
27	06024-03
39	06024-05
42	06024-06
45	06024-07

**PANELS**



**SIDE PANELS**

Fitted when required. They come with slam type latches which are positioned at a workable height making them ergonomically friendly to use. Standard or BiLock type locks can be added for increased security.

**SIDE PANEL LOCK**

CODE **37003-01**



**DIVIDER PANELS**

Can be used when cabinets are bayed together & access needs to be isolated between the rack or when ventilation needs to be controlled. Only one panel is required per pair of Cabinets.

NOTE: Please contact our sales staff for product codes.



**3RU & 6RU SIDE CABLE ENTRY PANELS**

Allow cable access without imposing restrictions on the removable side panels.

**The Base Side Cable Entry panels are made up as follows:**

12RU 3RU Infil and 9RU Side  
 18RU 6RU Infil and 12RU Side  
 27RU 3RU Infil and 24RU Side  
 33RU 6RU Infil and 27RU Side

39RU 6RU Infil and 33RU Side  
 42RU 3RU Infil and 39RU Side  
 45RU 6RU Infil and 39RU Side



**REAR PANELS**

Restrict access to the cabinet when a door is not required.

## PANELS

RU	TOTAL DEPTH	SIDE PANEL		
		STANDARD	DIVIDER	CABLE ENTRY
12	600	<b>06006-01</b>	<b>06015-01</b>	<b>06016-01</b>
	700	<b>06006-02</b>	<b>06015-02</b>	<b>06016-02</b>
	800	<b>06006-03</b>	<b>06015-03</b>	<b>06016-03</b>
	900	<b>06006-04</b>	<b>06015-24</b>	<b>06016-22</b>
	1000	<b>06006-05</b>	<b>06015-25</b>	<b>06016-23</b>
	1200*	<b>2x06006-01</b>	<b>2x06015-01</b>	<b>2x06016-01</b>
18	600	<b>06006-06</b>	<b>06015-04</b>	<b>06016-04</b>
	700	<b>06006-07</b>	<b>06015-05</b>	<b>06016-05</b>
	800	<b>06006-08</b>	<b>06015-06</b>	<b>06016-06</b>
	900	<b>06006-09</b>	<b>06015-26</b>	<b>06016-24</b>
	1000	<b>06006-10</b>	<b>06015-27</b>	<b>06016-25</b>
	1200*	<b>2x06006-06</b>	<b>2x06015-04</b>	<b>2x06016-04</b>
27	600	<b>06006-11</b>	<b>06015-07</b>	<b>06016-07</b>
	700	<b>06006-12</b>	<b>06015-08</b>	<b>06016-08</b>
	800	<b>06006-13</b>	<b>06015-09</b>	<b>06016-09</b>
	900	<b>06006-14</b>	<b>06015-28</b>	<b>06016-26</b>
	1000	<b>06006-15</b>	<b>06015-29</b>	<b>06016-27</b>
	1200*	<b>2x06006-11</b>	<b>2x06015-07</b>	<b>2x06016-07</b>
33	600	<b>06006-16</b>	<b>06015-10</b>	<b>06016-19</b>
	700	<b>06006-17</b>	<b>06015-11</b>	<b>06016-20</b>
	800	<b>06006-18</b>	<b>06015-12</b>	<b>06016-21</b>
	900	<b>06006-19</b>	<b>06015-30</b>	<b>06016-34</b>
	1000	<b>06006-20</b>	<b>06015-31</b>	<b>06016-35</b>
	1200*	<b>2x06006-16</b>	<b>2x06015-10</b>	<b>2x06016-19</b>
39	600	<b>06006-21</b>	<b>06015-13</b>	<b>06016-10</b>
	700	<b>06006-22</b>	<b>06015-14</b>	<b>06016-11</b>
	800	<b>06006-23</b>	<b>06015-15</b>	<b>06016-12</b>
	900	<b>06006-24</b>	<b>06015-32</b>	<b>06016-28</b>
	1000	<b>06006-25</b>	<b>06015-33</b>	<b>06016-29</b>
	1200*	<b>2x06006-21</b>	<b>2x06015-13</b>	<b>2x06016-10</b>
42	600	<b>06006-26</b>	<b>06015-16</b>	<b>06016-13</b>
	700	<b>06006-27</b>	<b>06015-17</b>	<b>06016-14</b>
	800	<b>06006-28</b>	<b>06015-18</b>	<b>06016-15</b>
	900	<b>06006-29</b>	<b>06015-34</b>	<b>06016-30</b>
	1000	<b>06006-30</b>	<b>06015-35</b>	<b>06016-31</b>
	1200*	<b>2x06006-26</b>	<b>2x06015-16</b>	<b>2x06016-13</b>
45	600	<b>06006-31</b>	<b>06015-19</b>	<b>06016-16</b>
	700	<b>06006-32</b>	<b>06015-20</b>	<b>06016-17</b>
	800	<b>06006-33</b>	<b>06015-21</b>	<b>06016-18</b>
	900	<b>06006-34</b>	<b>06015-22</b>	<b>06016-32</b>
	1000	<b>06006-35</b>	<b>06015-23</b>	<b>06016-33</b>
	1200*	<b>2x06006-31</b>	<b>2x06015-19</b>	<b>2x06016-16</b>

REAR PANEL	
WIDTHS	STANDARD
600	<b>06014-01</b>
700	<b>06014-15</b>
800	<b>06014-02</b>
-	-
-	-
-	-
600	<b>06014-03</b>
700	<b>06014-16</b>
800	<b>06014-04</b>
-	-
-	-
-	-
600	<b>06014-05</b>
700	<b>06014-18</b>
800	<b>06014-06</b>
-	-
-	-
-	-
600	<b>06014-07</b>
700	<b>06014-19</b>
800	<b>06014-08</b>
-	-
-	-
-	-
600	<b>06014-09</b>
700	<b>06014-20</b>
800	<b>06014-10</b>
-	-
-	-
-	-
600	<b>06014-11</b>
700	<b>06014-21</b>
800	<b>06014-12</b>
-	-
-	-
-	-
600	<b>06014-13</b>
700	<b>06014-22</b>
800	<b>06014-14</b>
-	-
-	-
-	-

\*For 1200 deep cabinets, dual 600 deep sides are used.