

Series 210 Cabinet

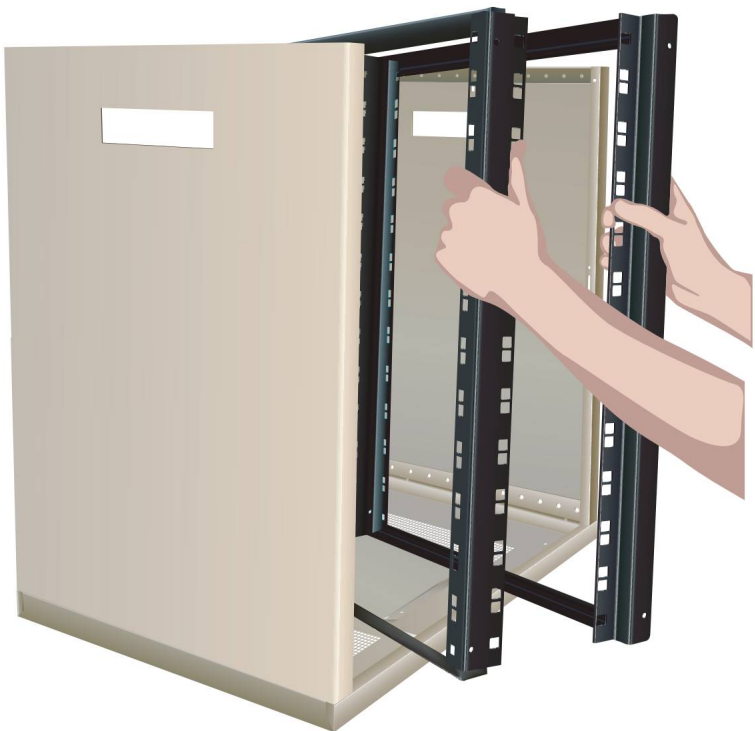
STEP 1

LAY BASE FLAT AND ATTACH SIDES VIA FOUR SELF TAPPING SCREWS. REPEAT FOR THE OTHER SIDE. ENSURE THAT THE HANDLE TOP IS AT THE TOP



STEP 2

INSERT MOUNTING FRAMES, ONE FRONT, ONE REAR, WITH THE FLAT SURFACES FACING OUTWARDS



STEP 3

ATTACH MOUNTING FRAMES TO SIDES - ONLY ON THE BOTTOM. (If door, swing frame or wall mount brackets are being fitted, front mounting frame needs to be mounted one hole back.)

Series 210 Cabinet 2

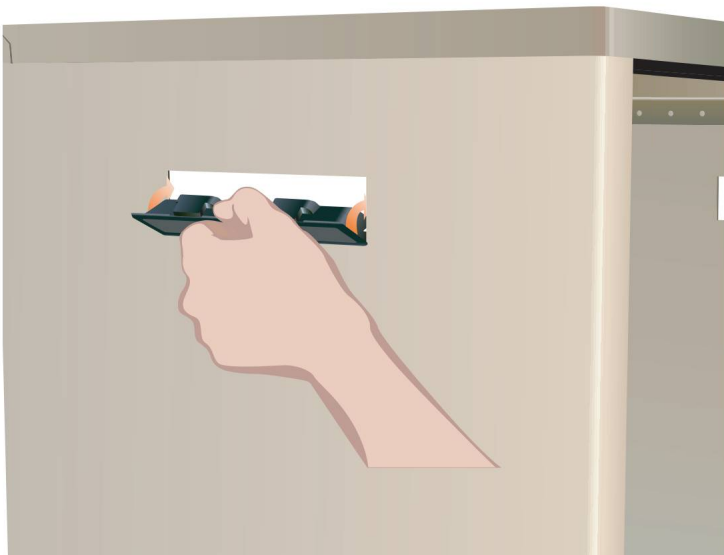
STEP 4

ATTACH LID TO THE TOP OF THE SIDES



STEP 5

ATTACH TOP OF MOUNTING FRAME TO SIDES



STEP 6

INSERT BOTTOM OF HANDLE INTO HOLE AT TOP OF SIDES AND TILT TOP UPWARDS UNTIL SIDES CLICK INTO POSITION. REPEAT ON OTHER SIDE.

Series 210 Cabinet Options

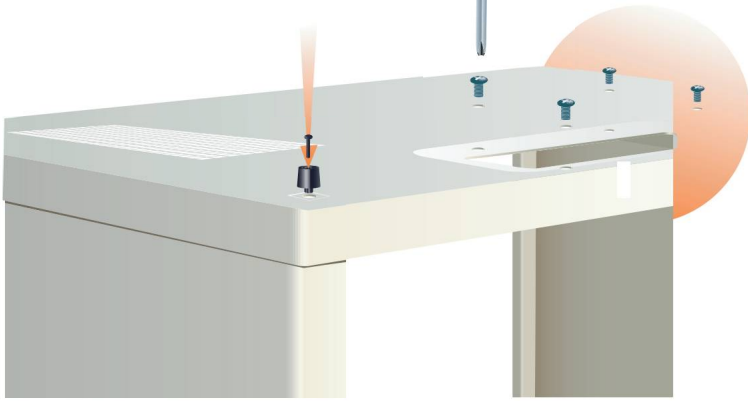
GLAND PLATE

ATTACH GLAND PLATE TO BASE



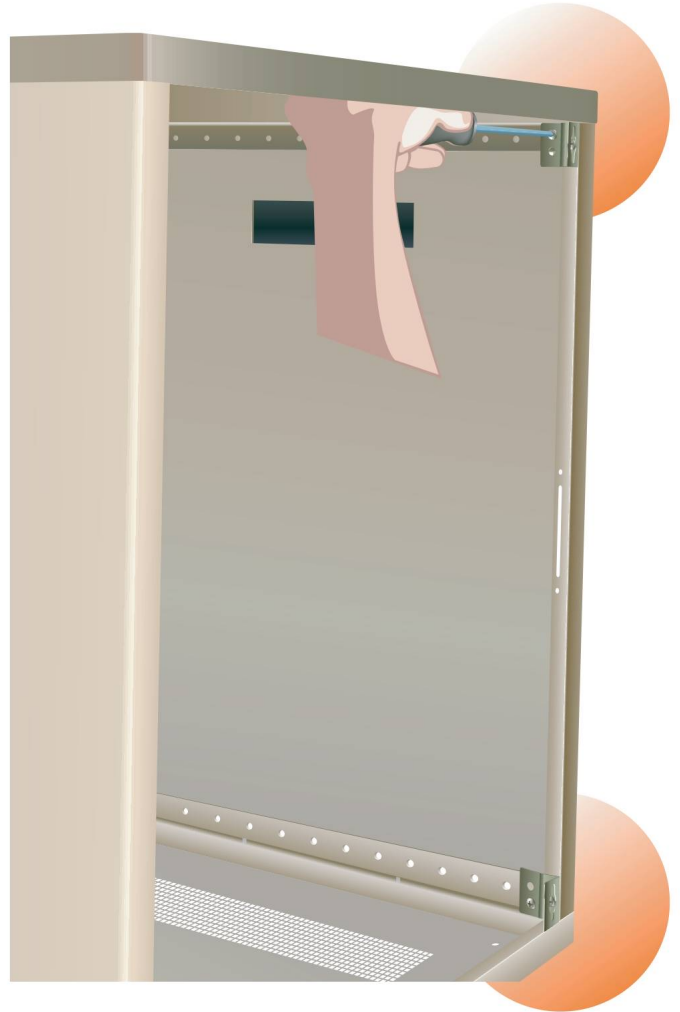
RUBBER FEET

INSERT FEET INTO RECESSES IN BASE (NOT REQUIRED IF CASTORS ARE BEING FIT)



WALL MOUNTS

ATTACH WALL MOUNTS TO REAR OF CABINET (IF NO REAR PANEL IS FITTED - AND IF REQUIRED)



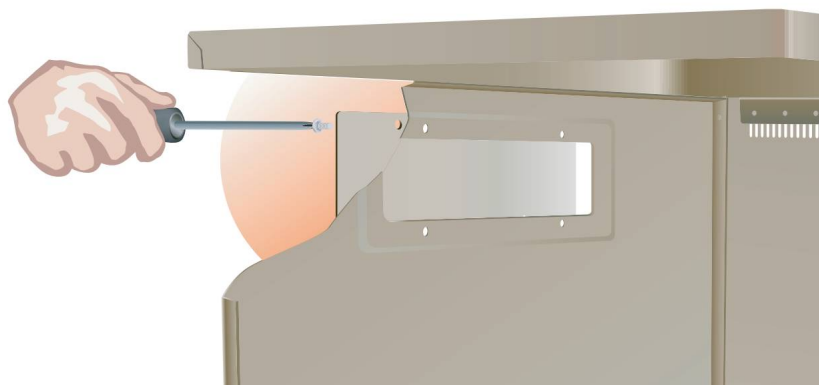
REAR PANEL

ATTACH REAR PANEL TO SIDES (IF REQUIRED)



REAR GLAND PLATE

ATTACH GLAND PLATE TO REAR (IF REQUIRED)



SWING FRAME

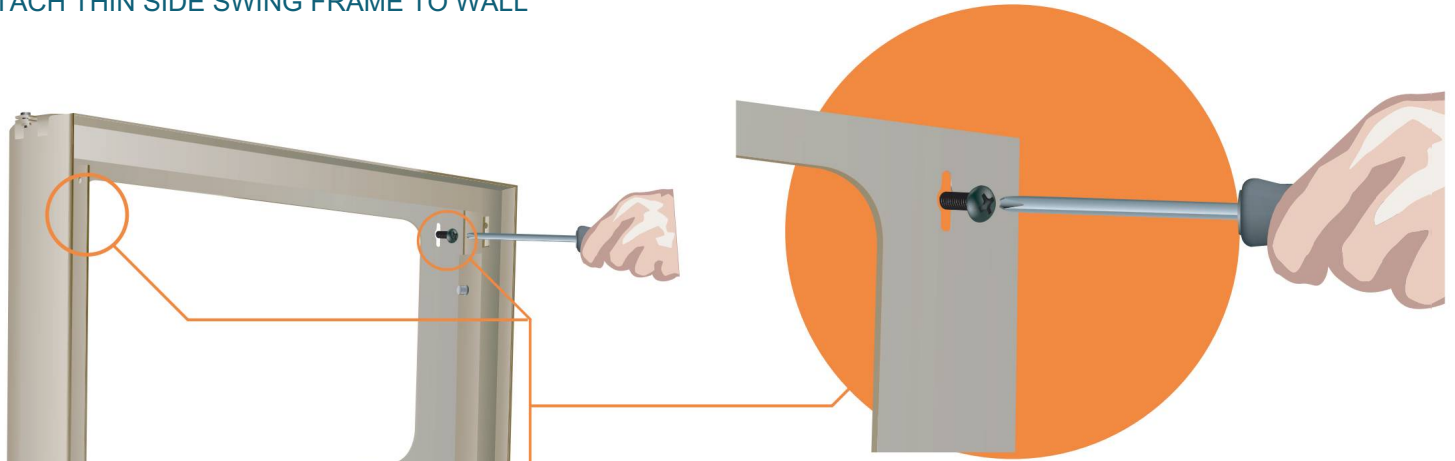
STEP 1

ATTACH THIN SIDE SWING FRAME TO WALL

NOTE:

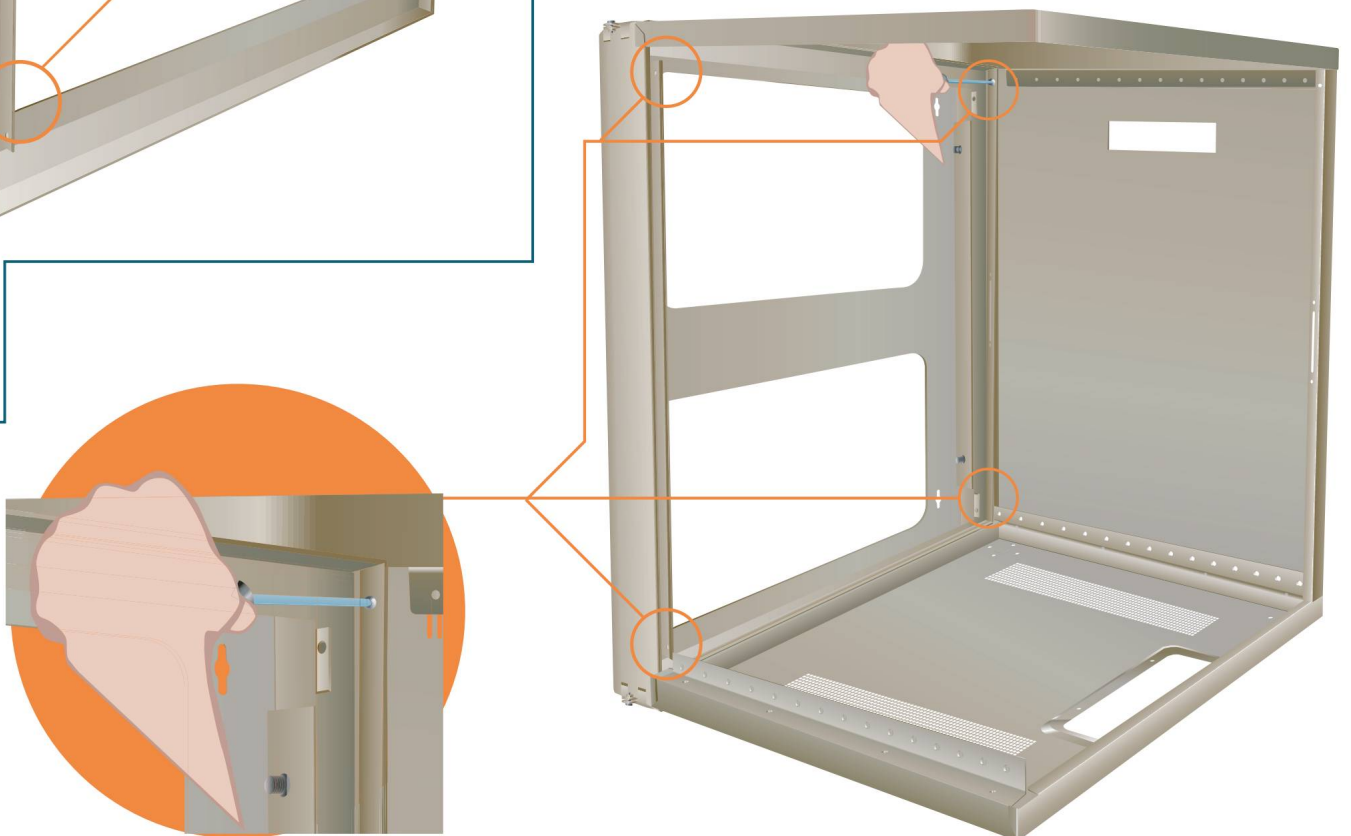
You need to pick up on frame studs in non-solid walls to ensure safe loading of cabinet.

Fixings will depend on wall type -
Not included.



STEP 2

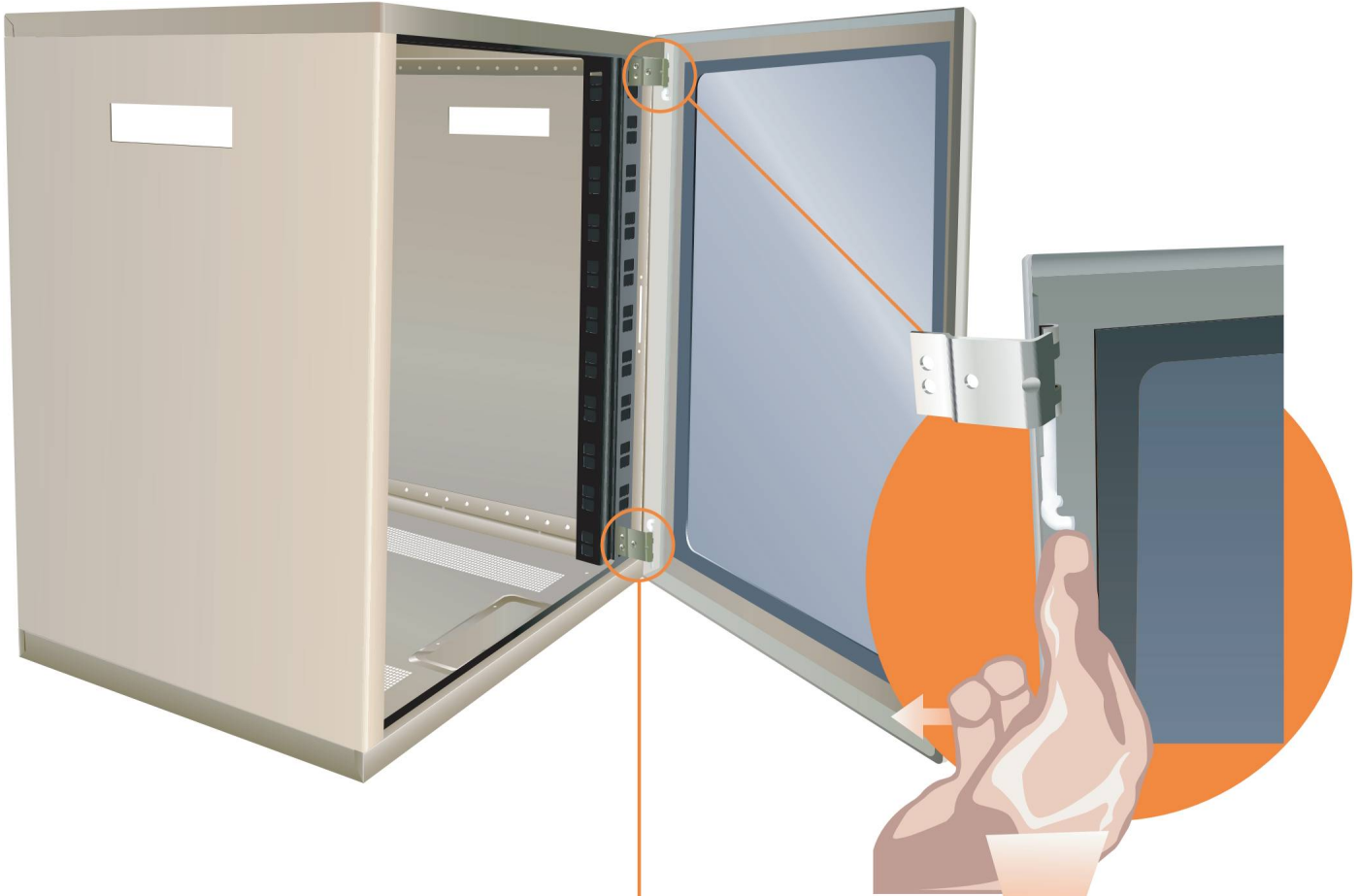
ATTACH CABINET TO THE INSIDE OF SWING FRAME



Door Assembly 1

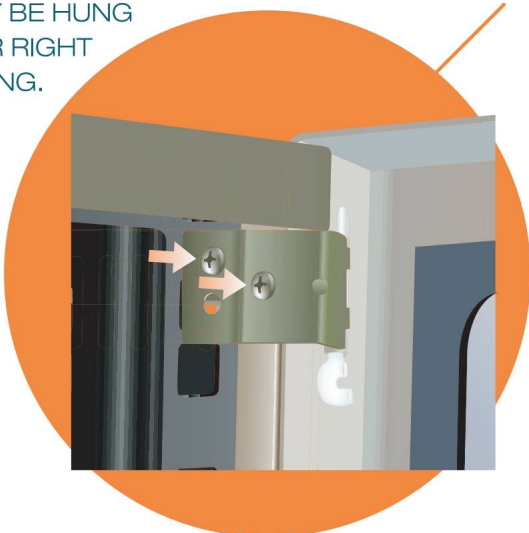
STEP 1

FIT HINGES IN PLACE BY ALIGNING THEM AND PRESSING THE DELRIN HINGE PINS INTO PLACE UNTIL THEY CLICK



STEP 2

FIT DOOR TO CABINET WITH TWO SCREWS PER HINGE. DOORS MAY BE HUNG FOR LEFT OR RIGHT HAND HINGING.



Door Assembly 2

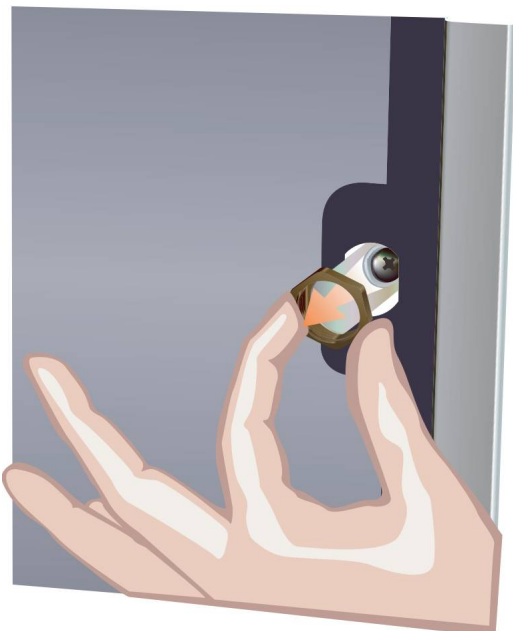
STEP 3

ATTACH CLEAR RUBBER DOOR STOPS IN THE CORNERS ABOVE AND BELOW THE LOCK.



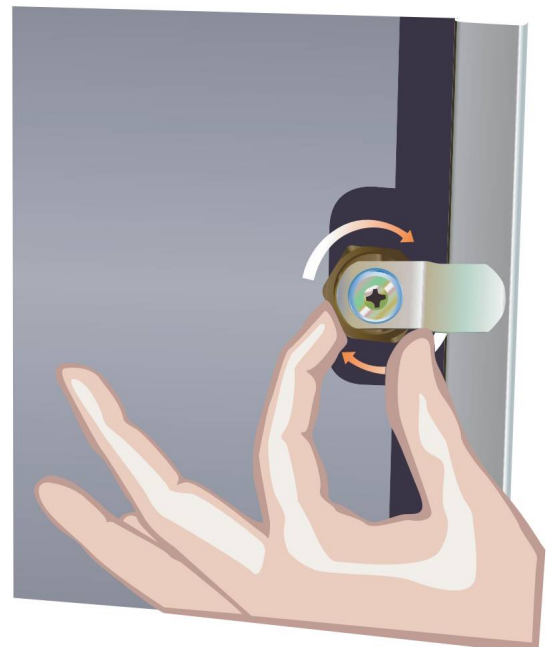
STEP 4

INSERT LOCK THROUGH DOOR AND FIX WITH STAR WASHER AND NUT UNTIL FIRMLY IN POSITION



STEP 5

CHECK THAT FLAG IS IN LOCK POSITION WHEN KEY IS VERTICAL. TIGHTEN NUT.

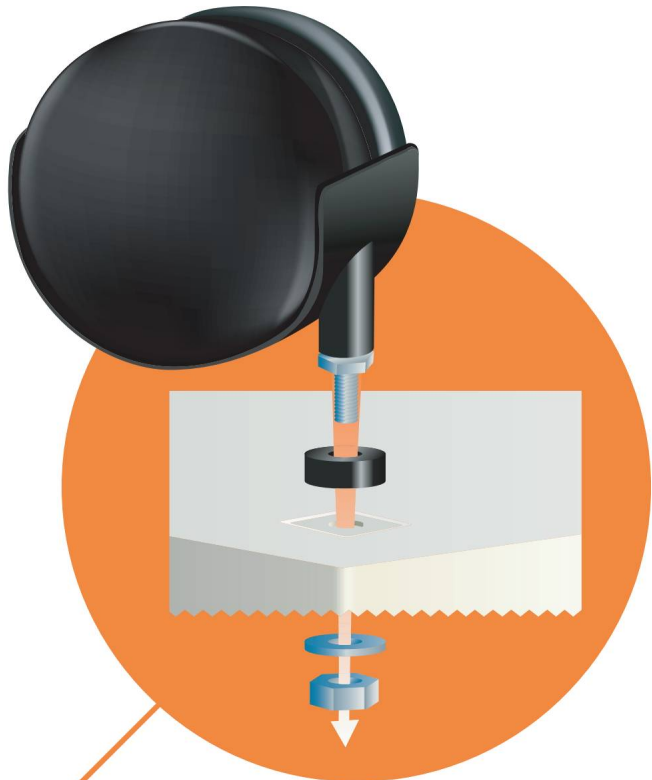


Castor Kit

STEP 1
TURN CABINET UPSIDE DOWN



STEP 2
SLIDE ON SPACER AND INSERT
CASTOR INTO BASE



STEP 3
FIX WASHER AND NUT AND TIGHTEN

